

Control Valves



2-WAY VALVES	106
3-WAY VALVES	113
4-WAY VALVES	122
FV AND FTV SERIES VALVES	126
TV SERIES 4-WAY TOGGLE VALVES	130
FILL AND BLEED TOGGLE VALVE	131
VALVE ACTUATORS	132 - 136
PUSH BUTTON ACTUATORS	137 - 143
AIR-2-ELECTRIC	144, 145
PRESSURE ACTUATED SWITCHES	146
ELECTRIC SWITCHES	147
SLEEVE VALVES	148, 149
PRESSURE REGULATORS	150 - 151
CHECK VALVES	152 - 153
FLOW CONTROLS	154 - 157
NEEDLE VALVES	158 - 161
SHUTTLE VALVES	162, 163
EXHAUST VALVES	164, 165
SPECIALTY COMPONENTS	166 - 169
HEAVY DUTY LIMIT VALVES	170 - 171
Special Function Valves	172 - 177
MECH. SEQUENCE PROGRAMMER	178
VALVE MOUNTING BRACKETS	180
PRESSURE GAUGES	181
PNEUMATIC COUNTERS	182 - 183
PALM BUTTON VALVES	183
VALVE SPECIFICATIONS	185 - 187



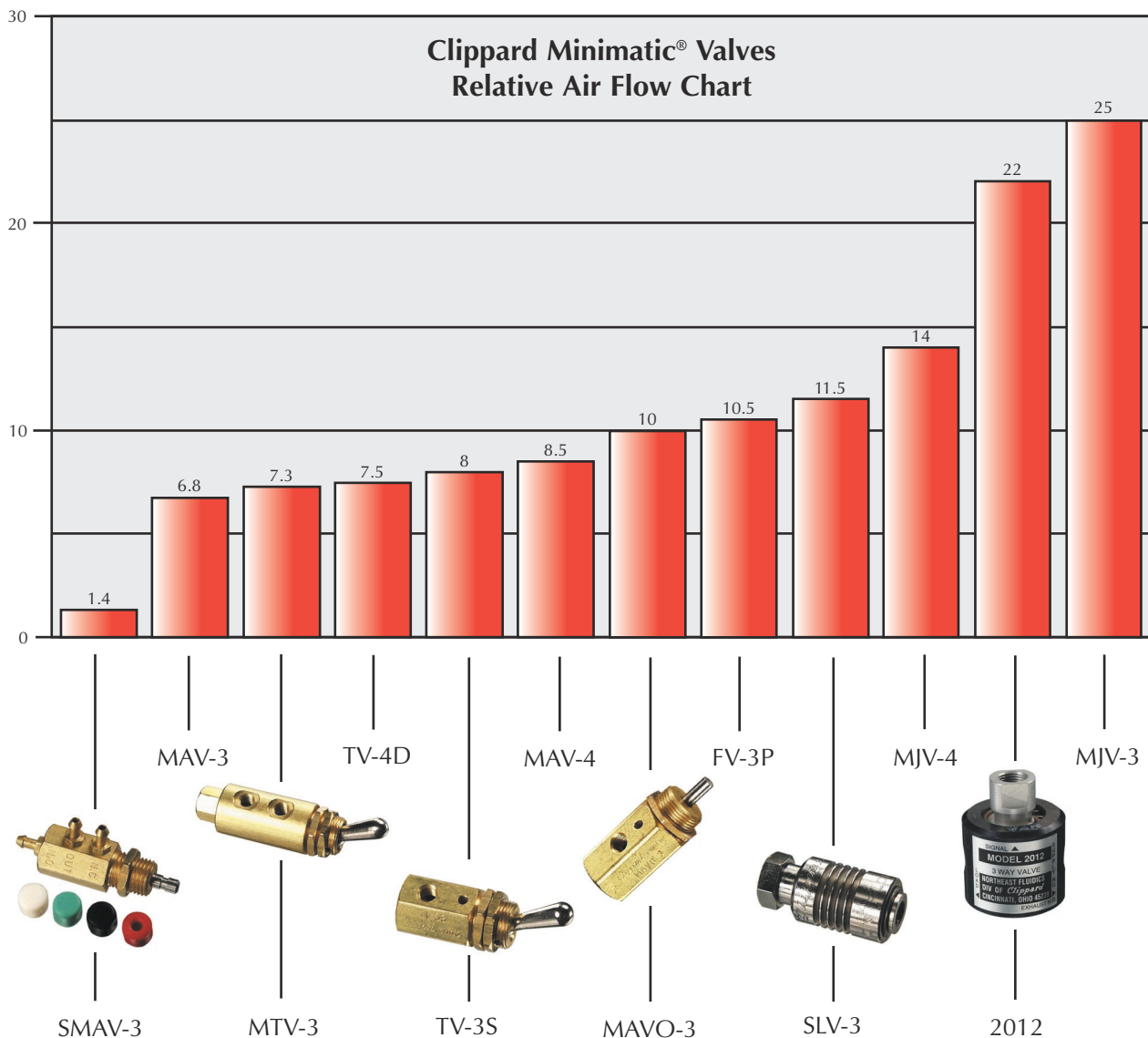
CONTROL VALVES



Every air system is unique... and Clippard has the air valve you need. Clippard control valves are available in poppet or spool design; 2, 3, or 4-way functions, in sizes from #3-56 and #10-32 through 1/8 NPT ports; and for pressures to 300 PSIG. They are available with solenoid, air pilot, manual and mechanical actuators. Mounting styles include inline, panel mount, manifold mount or clearance holes for mounting screws.

When designing a pneumatic system, choose the proper size for each component. A valve of insufficient capacity may cause an entire system to operate slower than expected. Conversely, utilizing a valve which possesses greater capacity than is actually required results in needless size and often leads to excessive speed, impact, wear, and air consumption.

The chart below shows the variety of valve flows available from Clippard. It can be used as a guide to determine the proper valve for an actual application.



Clippard Minimatic® miniature valves and associated products have evolved into a widely used system of fluid power control devices, known for quality, value and performance.

Over the past five decades, a diverse range of industries in the U.S. and throughout the world have come to rely on Minimatics® to control machines, systems, and processes through an unlimited list of applications. Clippard quality in design, engineering, manufacturing, as well as an expansive product offering, make Minimatics® the preferred choice for miniature and subminiature pneumatic applications.



Recognized as the original and most complete line of miniature fluid power components, Clippard's Minimatic® line is available across the globe through a network of fully-trained, stocking distributors. Clippard and our distributors stand ready to provide expert application assistance, support, and technical answers, to help you achieve the highest level of performance in your system.

Options

-NP Nickel Plating

This option provides a bright finish on brass parts for decorative purposes that also protects the surface from corrosion and tarnishing. It has a nominal thickness of .0015", and does not affect the fit or function of the part.

-ENP Electroless Nickel Plating

This option provides a low luster finish on brass parts for decorative purposes that also protects the surface from corrosion and tarnishing. It has a nominal thickness of .0002", and does not affect the fit or function of the part.

-V Viton

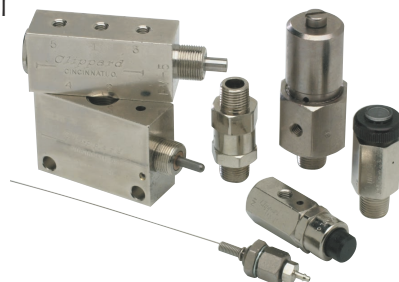
This option replaces the standard Buna-N seals with Viton seals either for high temperature (up to + 400°F) applications or those that require Viton for chemical compatibility.

-M5

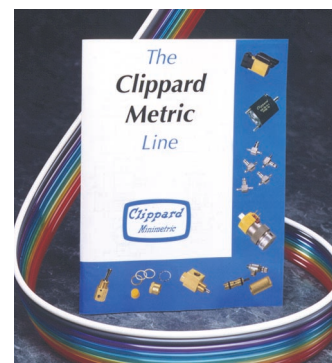
M5 metric ports

-MG

G 1/8 metric ports



Metric Catalog



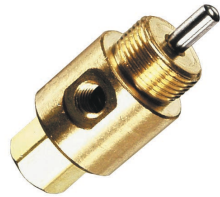
Many of the most popular Clippard valves and fittings are available with metric ports. The Minimetric® catalog is a 90 page color catalog that has been drilled to fit in the standard Clippard three ring binder, as well as the four ring European binder. Divided into five sections, the Minimetric® catalog details the complete line of Clippard Metric products and is available from your local distributor.



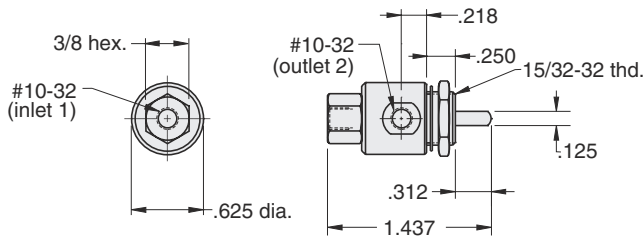
2-WAY NORMALLY CLOSED VALVES

Options: see page 105 **Materials:** brass body, Buna-N seals, stainless steel stem & spring

MAV-2



Normally closed 2-way miniature poppet valve



Medium: air, water, or oil

Stem Travel: 1/8"

Input Pressure: 300 psig max.

Air Flow: @50 psig - 4.0 SCFM
@100 psig - 6.8 SCFM

Force For Full Stem Travel: 24 oz. nom.

Mounting: 15/32-32 thread
Nut and lockwashers furnished

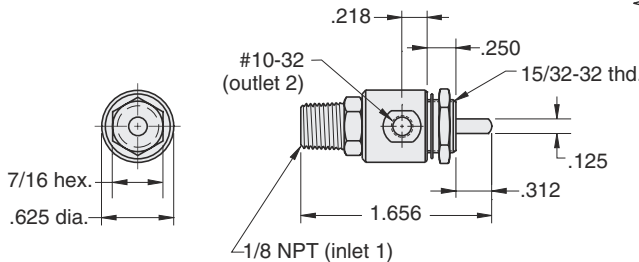
Ports: Inlet - 10-32, Outlet - 10-32

Temperature Range: 32° to 230° F

MAV-2P



Normally closed 2-way miniature poppet valve, 1/8 NPT inlet



Medium: air, water, or oil

Stem Travel: 1/8"

Input Pressure: 300 psig max.

Air Flow: @50 psig - 4.0 SCFM
@100 psig - 6.8 SCFM

Force For Full Stem Travel: 24 oz. nom.

Mounting: 15/32-32 thread
Nut and lockwashers furnished

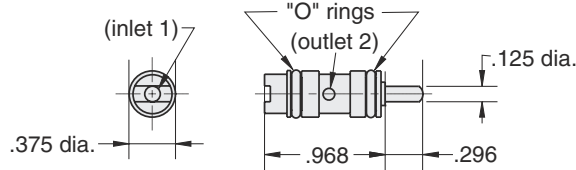
Ports: Inlet - 1/8, Outlet - 10-32

Temperature Range: 32° to 230° F

MAV-2C



Normally closed 2-way miniature poppet cartridge valve



Medium: air, water, or oil

Stem Travel: 1/8"

Input Pressure: 300 psig max.

Air Flow: @50 psig - 3.0 SCFM
@100 psig - 6.0 SCFM

Force For Full Stem Travel: 24 oz. nom.

Mounting: Inserts into a 3/8" bore
(.375" .001")

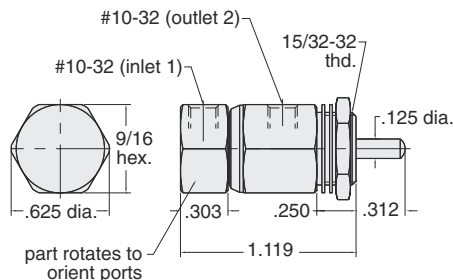
Temperature Range: 32° to 230° F

Note: See page 113 for retaining details

MAV-2R



Normally closed 2-way miniature poppet valve with rotatable inlet



Medium: air, water, or oil

Stem Travel: 1/8"

Input Pressure: 300 psig max.

Air Flow: @50 psig - 4.0 SCFM
@100 psig - 6.8 SCFM

Force For Full Stem Travel: 24 oz. nom.

Mounting: 15/32-32 thread
Nut and lockwashers furnished

Ports: Inlet - 10-32, Outlet - 10-32

Temperature Range: 32° to 230° F

2-WAY NORMALLY OPEN VALVES

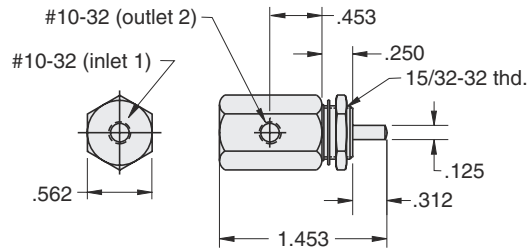


Options: see page 105 **Materials:** brass body, Buna-N seals, stainless steel stem & spring

MAVO-2



Normally open 2-way miniature spool valve



Medium: air, water, or oil

Stem Travel: 1/8"

Input Pressure: 150 psig max.

Air Flow: @50 psig - 6 SCFM
@100 psig - 10 SCFM

Force For Full Stem Travel: 32 oz. nom.

Mounting: 15/32-32 thread
Nut and lockwashers furnished

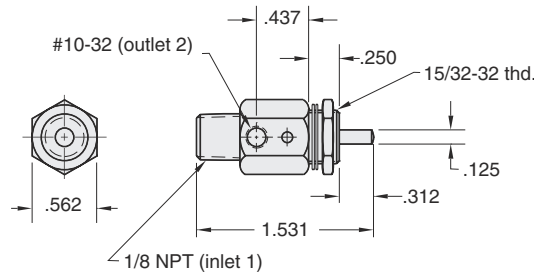
Ports: Inlet - 10-32, Outlet - 10-32

Temperature Range: 32° to 230° F

MAVO-2P



Normally open 2-way spool valve, 1/8 NPT inlet



Medium: air, water, or oil

Stem Travel: 1/8"

Input Pressure: 150 psig max.

Air Flow: @50 psig - 6 SCFM
@100 psig - 10 SCFM

Force For Full Stem Travel: 32 oz. nom.

Mounting: 15/32-32 thread
Nut and lockwashers furnished

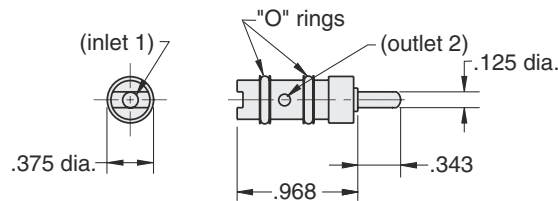
Ports: Inlet - 1/8 NPT, Outlet - 10-32

Temperature Range: 32° to 230° F

MAVO-2C



Normally open 2-way spool cartridge valve



Medium: air, water, or oil

Stem Travel: 1/8"

Input Pressure: 150 psig max.

Air Flow: @50 psig - 6 SCFM
@100 psig - 10 SCFM

Force For Full Stem Travel: 32 oz. nom.

Mounting: Inserts into a 3/8" bore
(.375" .001")

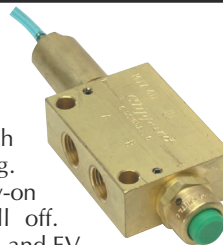
Temperature Range: 32° to 230° F

Note: See page 113 for retaining details

CAPTIVATED PUSH BUTTONS



The small compact size make the push buttons adaptable to panel mounting. Unlike set screw retained buttons, the screw-on design will not allow the button to fall off. Designed to work with Clippard MAV, MJV, and FV series valves, these buttons also help protect the valve by preventing over-traveling of the stem and the potential for side-load on the valve. See page 137 for more information.

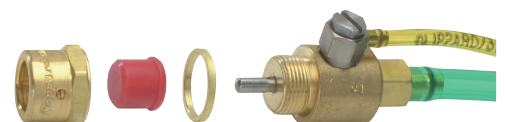


Button Housing Available in:

Black Chrome Nickel Plated
Brass

Button Colors Available in:

Yellow Black
Red White
Green

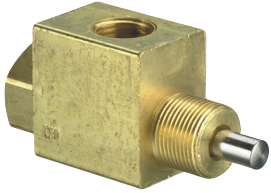




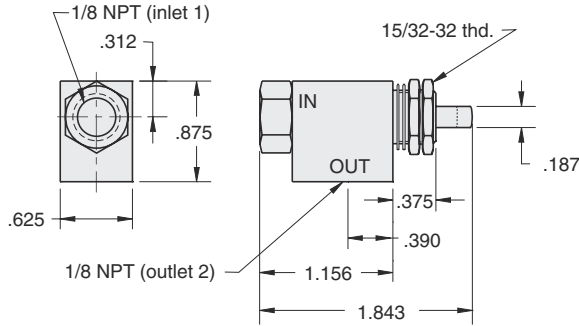
2-WAY J-SERIES VALVES

Options: see page 105 **Materials:** brass body, Buna-N seals, stainless steel stem & spring

MJV-2



Normally closed 2-way Minimatic® J-Series poppet valve



Medium: air, water, or oil

Stem Travel: 1/8"

Working Range: 300 psig max.

Air Flow: @50 psig - 14 SCFM
@100 psig - 25 SCFM

Force For Full Stem Travel: 38 oz. nom.

Mounting: 15/32-32 thread
Nut and lockwashers furnished

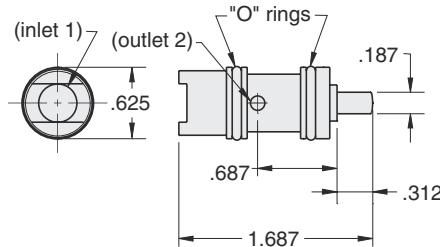
Ports: Inlet - 1/8 NPT, Outlet - 1/8 NPT

Temperature Range: 32° to 230° F

MJV-2C



Normally closed 2-way Minimatic® J-Series poppet cartridge valve



Medium: air, water, or oil

Stem Travel: 1/8"

Working Range: 300 psig max.

Air Flow: @50 psig - 11 SCFM
@100 psig - 22 SCFM

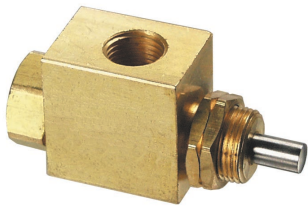
Force For Full Stem Travel: 38 oz. nom.

Mounting: Inserts into a 5/8" bore
(.625" .001")

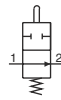
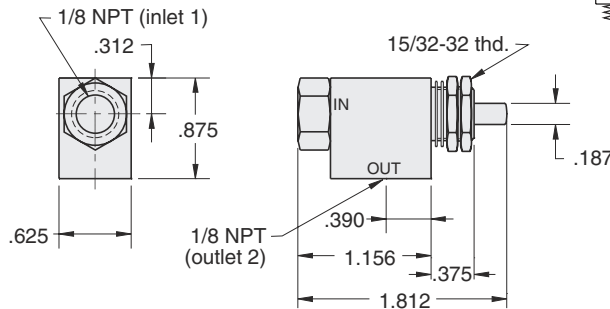
Temperature Range: 32° to 230° F

Note: See page 113 for retaining details

MJVO-2



Normally open 2-way Minimatic® J-Series spool valve



Medium: air

Stem Travel: 1/8"

Working Range: 150 psig max.

Air Flow: @50 psig - 7 SCFM
@100 psig - 12 SCFM

Force For Full Stem Travel: 36 oz. nom.

Mounting: 15/32-32 thread
Nut and lockwashers furnished

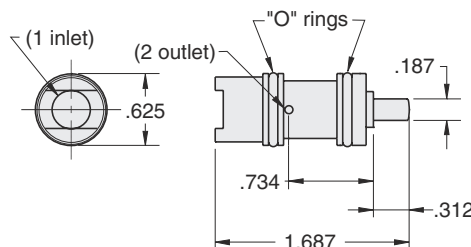
Ports: Inlet - 1/8 NPT, Outlet - 1/8 NPT

Temperature Range: 32° to 230° F

MJVO-2C



Normally open 2-way Minimatic® J-Series spool cartridge valve



Medium: air

Stem Travel: 1/8"

Working Range: 150 psig max.

Air Flow: @50 psig - 8 SCFM
@100 psig - 15 SCFM

Force For Full Stem Travel: 36 oz. nom.

Mounting: Inserts into 5/8" bore
(.625" .001")

Temperature Range: 32° to 230° F

Note: See page 113 for retaining details

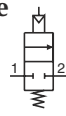
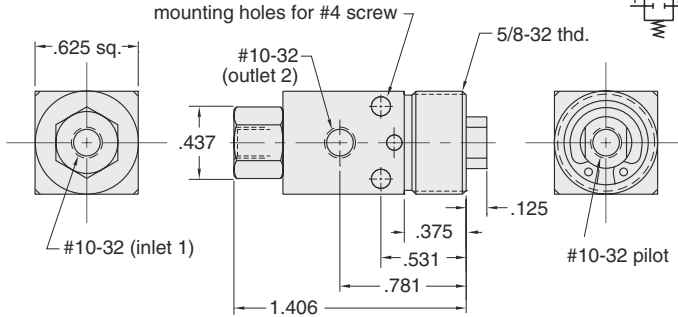
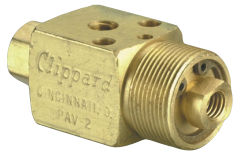
2-WAY AIR PILOTED VALVES



Options: see page 105 **Materials:** brass body, Buna-N seals, stainless steel stem & spring

PAV-2

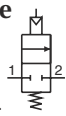
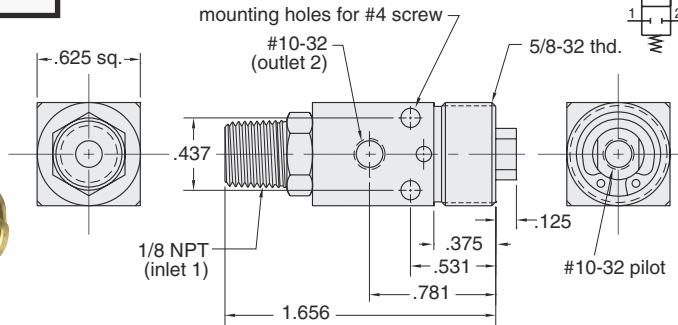
Air piloted normally closed 2-way poppet valve



Medium: air, water, or oil
Input Pressure: 300 psig max.
Air Flow: @50 psig - 4.0 SCFM
 @100 psig - 6.8 SCFM
Mounting: 5/8-32 thread or #4 screws
 Nut and lockwashers may be ordered
 part number: PAV-MH
Ports: Inlet - 10-32, Outlet - 10-32
Air Pilot Pressure: 15 psig min.
Foot Bracket: FB-1791
Temperature Range: 32° to 230° F

PAV-2P

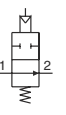
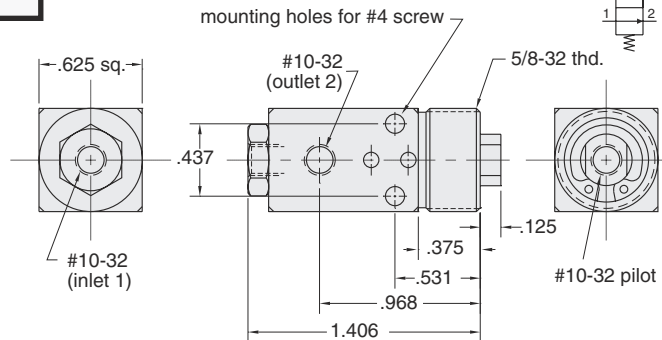
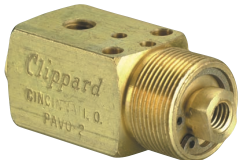
Air piloted normally closed 2-way poppet valve



Medium: air, water, or oil
Input Pressure: 300 psig max.
Air Flow: @50 psig - 4.0 SCFM
 @100 psig - 6.8 SCFM
Mounting: 5/8-32 thread or #4 screws
 Nut and lockwashers may be ordered
 part number: PAV-MH
Ports: Inlet - 1/8-27 NPT, Outlet - 10-32
Air Pilot Pressure: 15 psig min.
Foot Bracket: FB-1791
Temperature Range: 32° to 230° F

PAVO-2

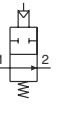
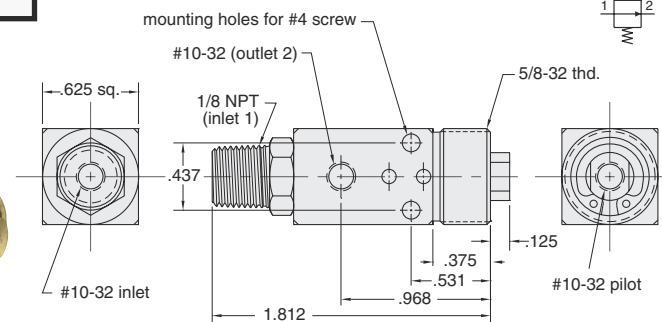
Air piloted normally open 2-way poppet valve



Medium: air, water, or oil
Input Pressure: 150 psig max.
Air Flow: @50 psig - 6.8 SCFM
 @100 psig - 11.6 SCFM
Mounting: 5/8-32 thread or #4 screws
 Nut and lockwashers may be ordered
 part number: PAV-MH
Ports: Inlet - 10-32, Outlet - 10-32
Air Pilot Pressure: 15 psig min.
Foot Bracket: FB-1791
Temperature Range: 32° to 230° F

PAVO-2P

Air piloted normally open 2-way poppet valve



Medium: air, water, or oil
Input Pressure: 150 psig max.
Air Flow: @50 psig - 6.8 SCFM
 @100 psig - 11.6 SCFM
Mounting: 5/8-32 thread or #4 screws
 Nut and lockwashers may be ordered
 part number: PAV-MH
Ports: Inlet - 1/8 NPT, Outlet - 10-32
Air Pilot Pressure: 15 psig min.
Foot Bracket: FB-1791
Temperature Range: 32° to 230° F



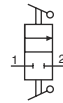
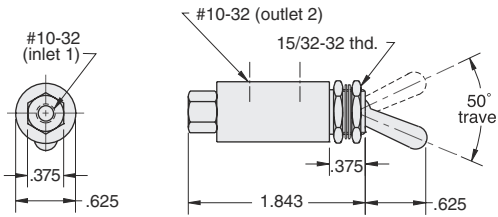
2-WAY TOGGLE VALVES

Options: see page 105 **Materials:** brass body, Buna-N seals, stainless steel stem & spring

MTV-2



Two position 2-way poppet toggle valve

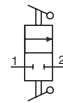
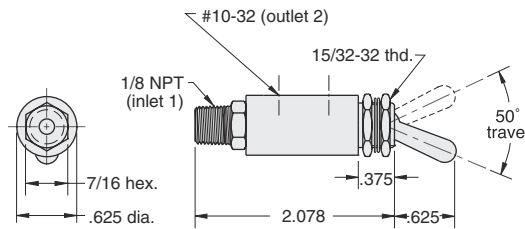


Medium: air, water, or oil
Arc of Travel: 50°
Input Pressure: 300 psig max.
Air Flow: @50 psig - 4.0 SCFM
 @100 psig - 7.3 SCFM
Force For Full Stem Travel: 16 oz. nom.
Mounting: 15/32-32 male thread
 Nut and lockwashers furnished
Ports: Inlet - 10-32, Outlet - 10-32
Temperature Range: 32° to 230° F

MTV-2P



Two position 2-way poppet toggle valve with 1/8 NPT inlet

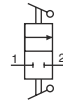
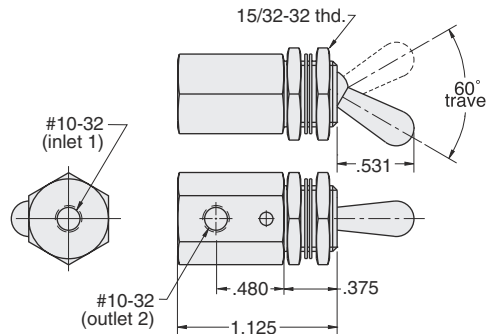


Medium: air, water, or oil
Arc Of Travel: 50°
Input Pressure: 300 psig max.
Air Flow: @50 psig - 4.0 SCFM
 @100 psig - 7.3 SCFM
Force For Full Stem Travel: 16 oz. nom.
Mounting: 15/32-32 thread
 Nut and lockwashers furnished
Ports: Inlet - 1/8 NPT, Outlet - 10-32
Temperature Range: 32° to 230° F

TV-2S



Two position 2-way spool toggle valve

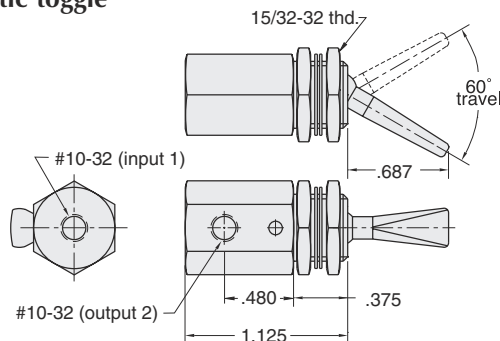


Medium: air, water, or oil
Arc Of Travel: 60°
Input Pressure: 150 psig max.
Air Flow: @50 psig - 4.5 SCFM
 @100 psig - 8.0 SCFM
Force For Full Stem Travel: 12 oz. nom.
Mounting: 15/32-32 thread
 Nut and lockwashers furnished
Ports: Inlet - 10-32, Outlet - 10-32
Temperature Range: 32° to 230° F

TV-2SF



Two position 2-way spool toggle valve with plastic toggle



Medium: air, water, or oil
Arc Of Travel: 60°
Input Pressure: 150 psig max.
Air Flow: @50 psig - 4.5 SCFM
 @100 psig - 8.0 SCFM
Force For Full Stem Travel: 12 oz. nom.
Mounting: 15/32-32 thread
 Nut and lockwashers furnished
Ports: Inlet - 10-32, Outlet - 10-32
Toggle: Plastic
Temperature Range: 32° to 230° F

2-WAY TOGGLE VALVES

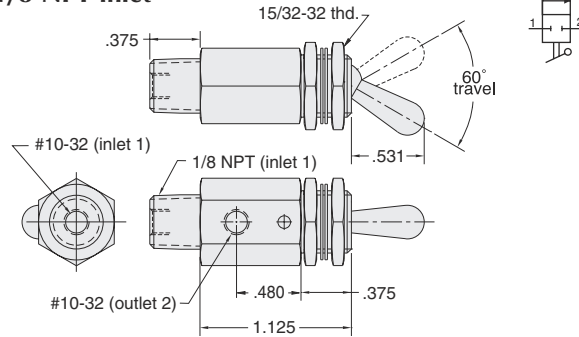


Options: see page 105 **Materials:** brass body, Buna-N seals, stainless steel stem & spring

TV-2SP



Two position 2-way spool toggle valve with 1/8 NPT inlet

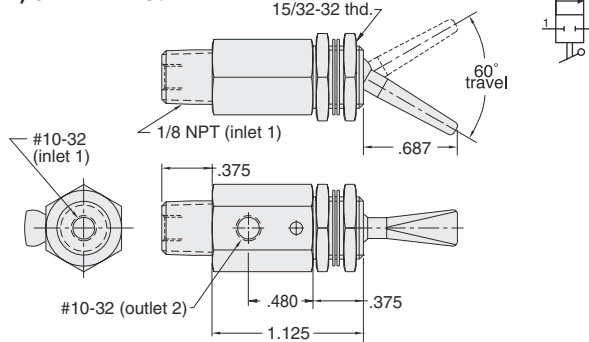


Medium: air, water, or oil
Arc Of Travel: 60°
Input Pressure: 150 psig max.
Air Flow: @50 psig - 4.5 SCFM
 @100 psig - 8.0 SCFM
Force For Full Stem Travel: 12 oz. nom.
Mounting: 15/32-32 thread
 Nut and lockwashers furnished
Ports: Inlet - 1/8 NPT, Outlet - 10-32
Temperature Range: 32° to 230° F

TV-2SFP

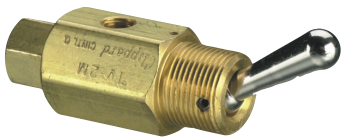


Two position 2-way spool toggle valve with 1/8 NPT inlet

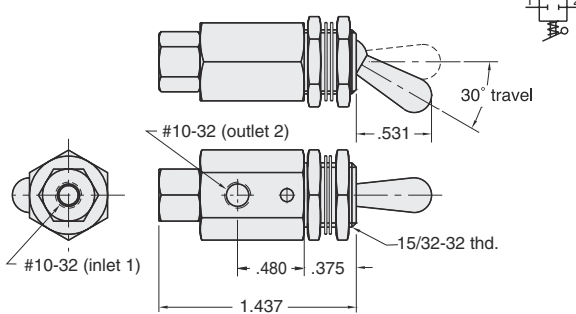


Medium: air, water, or oil
Arc Of Travel: 60°
Input Pressure: 150 psig max.
Air Flow: @50 psig - 4.5 SCFM
 @100 psig - 8.0 SCFM
Force For Full Stem Travel: 12 oz. nom.
Mounting: 15/32-32 thread
 Nut and lockwashers furnished
Ports: Inlet - 1/8 NPT, Outlet - 10-32
Toggle: Plastic
Temperature Range: 32° to 230° F

TV-2M



Two position 2-way poppet toggle valve with momentary actuation

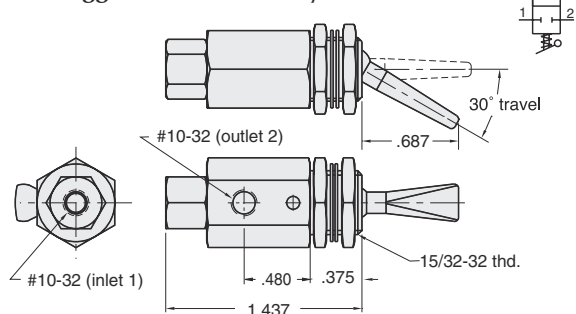


Medium: air, water, or oil
Arc Of Travel: 30°
Input Pressure: 150 psig max.
Air Flow: @50 psig - 4.5 SCFM
 @100 psig - 8.0 SCFM
Force For Full Stem Travel: 12 oz. nom.
Mounting: 15/32-32 thread
 Nut and lockwashers furnished
Ports: Inlet - 10-32, Outlet - 10-32
Temperature Range: 32° to 230° F

TV-2MF



Two position 2-way poppet toggle valve with plastic toggle and momentary actuation



Medium: air, water, or oil
Arc Of Travel: 30°
Input Pressure: 150 psig max.
Air Flow: @50 psig - 4.5 SCFM
 @100 psig - 8.0 SCFM
Force For Full Stem Travel: 12 oz. nom.
Mounting: 15/32-32 thread
 Nut and lockwashers furnished
Ports: Inlet - 10-32, Outlet - 10-32
Toggle: Plastic
Temperature Range: 32° to 230° F

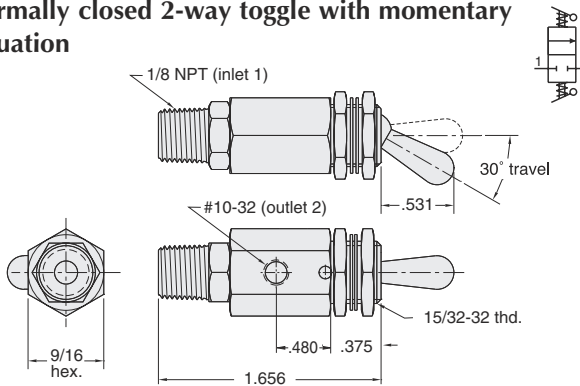


2-WAY MOMENTARY TOGGLE VALVES

Options: see page 105 **Materials:** brass body, Buna-N seals, stainless steel stem & spring

TV-2MP

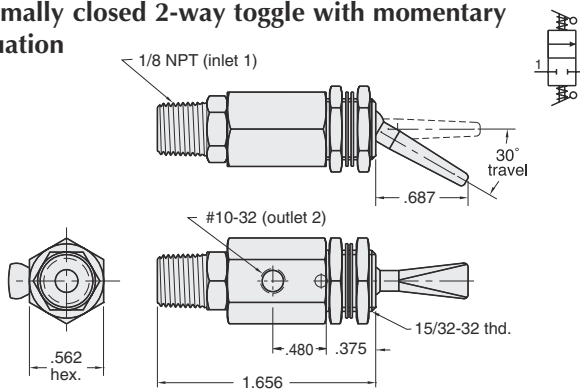
Normally closed 2-way toggle with momentary actuation



Medium: air, water, or oil
Input Pressure: 150 psig max.
Air Flow: @50 psig - 4.0 SCFM
 @100 psig - 6.8 SCFM
Force For Full Stem Travel: 12 oz. nom.
Mounting: 15/32-32 thd. nut and lockwasher furnished
Ports: Inlet 1/8 NPT, Outlet 10-32
Temperature Range: 32° to 230° F

TV-2MFP

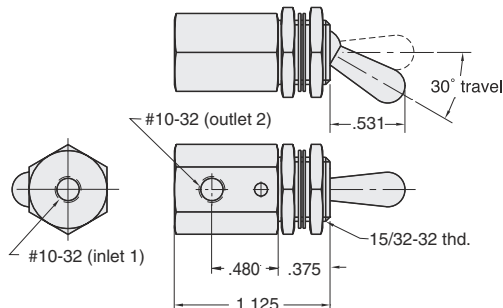
Normally closed 2-way toggle with momentary actuation



Medium: air, water, or oil
Input Pressure: 150 psig max.
Air Flow: @50 psig - 4.0 SCFM
 @100 psig - 6.8 SCFM
Force For Full Stem Travel: 12 oz. nom.
Mounting: 15/32-32 thd. nut and lockwasher furnished
Ports: Inlet 1/8 NPT, Outlet 10-32
Toggle: plastic
Temperature Range: 32° to 230° F

TVO-2M

Normally open 2-way toggle valve manifold mount with momentary actuation

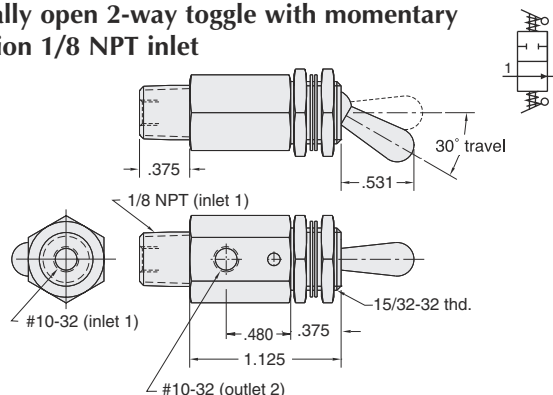


Medium: air, water, or oil
Arc Of Travel: 60°
Input Pressure: 150 psig max.
Air Flow: @50 psig - 4.5 SCFM
 @100 psig - 8.0 SCFM
Force For Full Stem Travel: 12 oz. nom.
Mounting: 15/32-32 thd. nut and lockwasher furnished
Ports: Inlet 10-32, Outlet 10-32
Temperature Range: 32° to 230° F

TVO-2MF: same as TVO-2M except with a plastic toggle

TVO-2MP

Normally open 2-way toggle with momentary actuation 1/8 NPT inlet



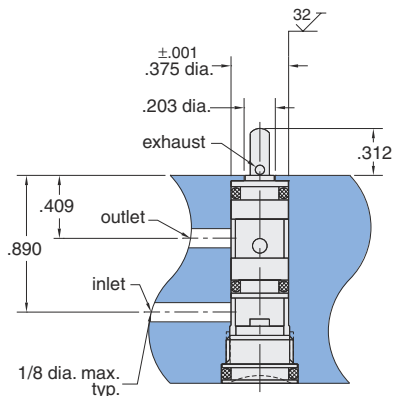
Medium: air, water, or oil
Input Pressure: 150 psig max.
Air Flow: @50 psig - 4.0 SCFM
 @100 psig - 6.8 SCFM
Force For Full Stem Travel: 12 oz. nom.
Mounting: 15/32-32 thd. nut and lockwasher furnished
Ports: Inlet 1/8 NPT, Outlet 10-32
Temperature Range: 32° to 230° F

TVO-2MFP: same as TVO-2MP except with a plastic toggle

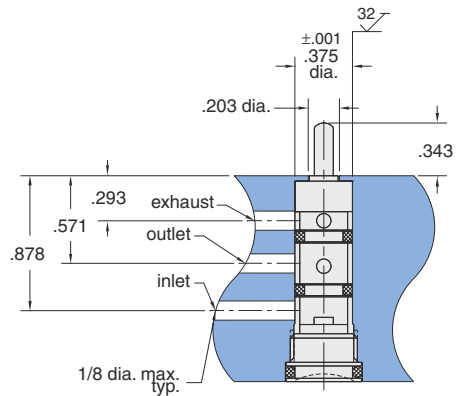
Options: see page 105 **Materials:** brass body, Buna-N seals, stainless steel stem & spring

CARTRIDGE VALVE MOUNTING

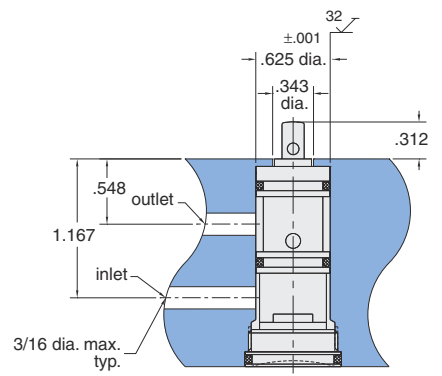
Clippard miniature cartridge valves offer the user flexibility in the application of 2-way and 3-way normally open or normally closed valves. Two sizes are provided: to fit either a .375" diameter bore or .625" diameter bore. They are used in Clippard heavy duty limit switches and are suitable for pneumatic tools and manifolds or for any use where a valve needs to be built in.



MAV-2C/3C



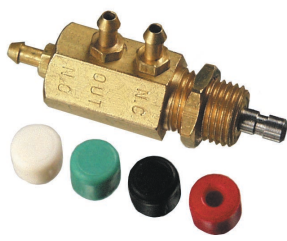
MAVO-2C/3C



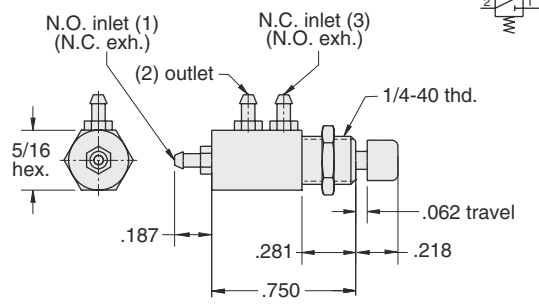
MJV-2C/3C

SUB-MINIATURE 3-WAY VALVES

SMAV-3

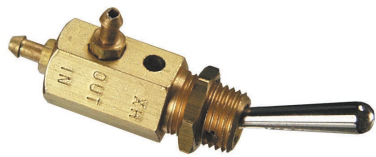


Sub-miniature 3-way N.C. or N.O. spool valve

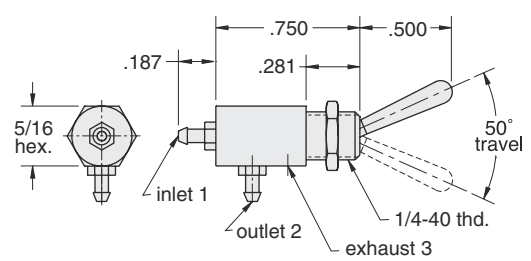


- Medium:** air
 - Stem Travel:** 1/16"
 - Input Pressure:** 100 psig max.
 - Air Flow:** @100 psig - 1.4 SCFM
 - Force For Full Stem Travel:** 20 oz. nominal
 - Ports:** 3-56 with 1/16" I.D. hose bars
 - Temperature Range:** 32° to 230° F
 - Spool Material:** Delrin®
- Four colors of snap on push buttons included with each valve

SMTV-3



Sub-miniature 3-way spool two position toggle valve



- Medium:** air
- Arc Of Travel:** 50°
- Input Pressure:** 100 psig max.
- Air Flow:** @100 psig - 1.4 SCFM
- Force For Full Stem Travel:** 24 oz. nominal
- Ports:** 3-56 with 1/16" I.D. hose bars
- Temperature Range:** 32° to 230° F
- Spool Material:** Delrin®



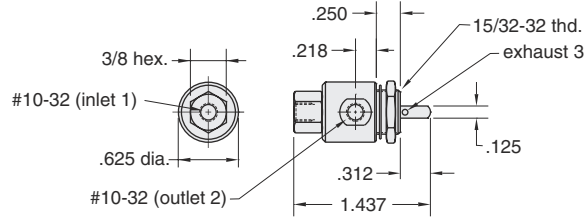
3-WAY NORMALLY CLOSED

Options: see page 105 **Materials:** brass body, Buna-N seals, stainless steel stem & spring

MAV-3



Normally closed 3-way poppet valve

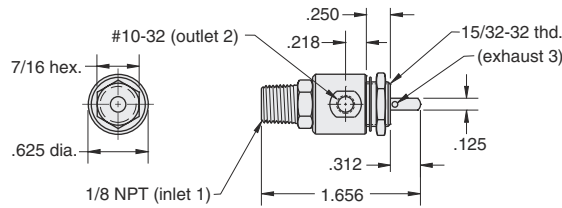


Medium: air
Stem Travel: 1/8"
Input Pressure: 300 psig max.
Air Flow: @50 psig - 4.0 SCFM
 @100 psig - 6.8 SCFM
Force For Full Stem Travel: 24 oz. nom.
Mounting: 15/32-32 thread
 Nut and lockwashers furnished
Ports: Inlet - 10-32, Outlet - 10-32
Exhaust: To atmosphere through hollow stem
Temperature Range: 32° to 230° F

MAV-3P



Normally closed 3-way poppet valve, 1/8 NPT inlet

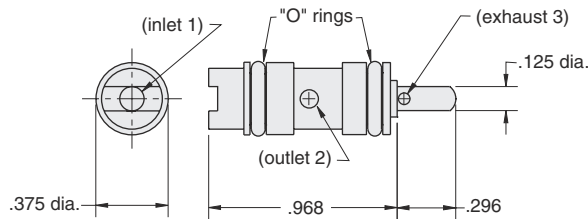


Medium: air
Stem Travel: 1/8"
Input Pressure: 300 psig max.
Air Flow: @50 psig - 4.0 SCFM
 @100 psig - 6.8 SCFM
Force For Full Stem Travel: 24 oz. nom.
Mounting: 15/32-32 thread
 Nut and lockwashers furnished
Ports: Inlet - 1/8 NPT, Outlet - 10-32
Exhaust: To atmosphere through hollow stem
Temperature Range: 32° to 230° F

MAV-3C



Normally closed 3-way poppet cartridge valve

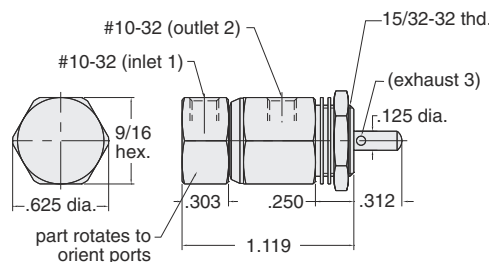


Medium: air
Stem Travel: 1/8"
Input Pressure: 300 psig max.
Air Flow: @50 psig - 3.5 SCFM
 @100 psig - 6.0 SCFM
Force For Full Stem Travel: 24 oz. nom.
Mounting: Inserts into a 3/8" bore
 (.375" .001")
Exhaust: To atmosphere through hollow stem
Temperature Range: 32° to 230° F
Note: See page 113 for retaining details

MAV-3R



Normally closed 3-way poppet valve with rotatable inlet



Medium: air
Stem Travel: 1/8"
Input Pressure: 300 psig max.
Air Flow: @50 psig - 4.0 SCFM
 @100 psig - 6.8 SCFM
Force For Full Stem Travel: 24 oz. nom.
Mounting: 15/32-32 thread
 Nut and lockwashers furnished
Ports: Inlet - 10-32, Outlet - 10-32
Temperature Range: 32° to 230° F

3-WAY NORMALLY OPEN

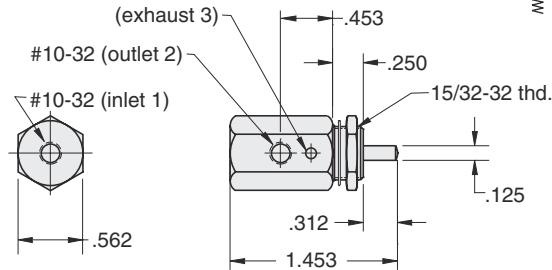


Options: see page 105 **Materials:** brass body, Buna-N seals, stainless steel stem & spring

MAVO-3



Normally open 3-way spool valve



Medium: air

Stem Travel: 1/8"

Input Pressure: 150 psig max.

Air Flow: @50 psig - 6 SCFM
@100 psig - 10 SCFM

Force For Full Stem Travel: 32oz. nom.

Mounting: 15/32-32 thread
Nut and lockwashers furnished

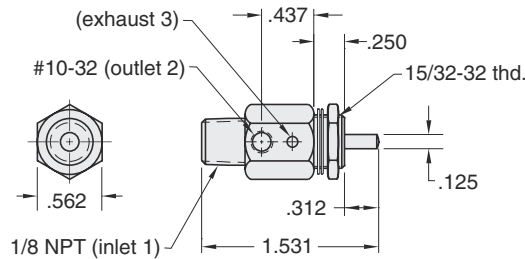
Ports: Inlet - 10-32, Outlet - 10-32

Temperature Range: 32° to 230° F

MAVO-3P



Normally open 3-way spool valve with 1/8 NPT inlet



Medium: air

Stem Travel: 1/8"

Input Pressure: 150 psig max.

Air Flow: @50 psig - 6 SCFM
@100 psig - 10 SCFM

Force For Full Stem Travel: 32 oz. nom.

Mounting: 15/32-32 thread
Nut and lockwashers furnished

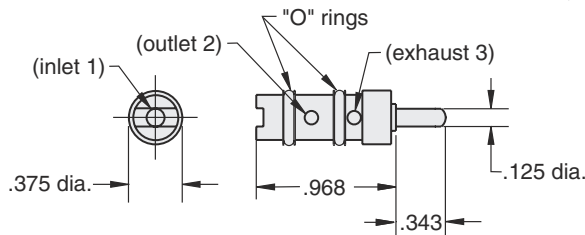
Ports: Inlet - 10-32, Outlet - 10-32

Temperature Range: 32° to 230° F

MAVO-3C



Normally open 3-way spool cartridge valve



Medium: air

Stem Travel: 1/8"

Input Pressure: 150 psig max.

Air Flow: @50 psig - 6 SCFM
@100 psig - 10 SCFM

Force For Full Stem Travel: 32 oz. nom.

Mounting: Inserts into a 3/8" bore
(.375" .001")

Temperature Range: 32° to 230° F

Note: See page 113 for retaining details

Additional Valve Specifications

Materials: brass body, Buna-N seals, stainless steel stem & spring

Temperature range: 32° to 230° F

Options: Consult the factory concerning the price and availability of the following standard options:

NP - Nickel Plating

V - Viton Seals

ENP - Electroless Nickel Plating

E - EPDM Seals

M5 - M5 x 0.8 threaded ports

MG - G1/8 ports





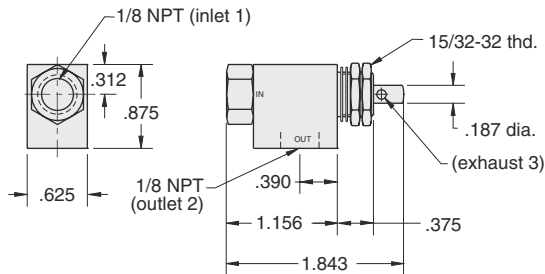
3-WAY J-SERIES VALVES

Options: see page 105 **Materials:** brass body, Buna-N seals, stainless steel stem & spring

MJV-3



Normally closed 3-way poppet valve with 1/8 NPT ports

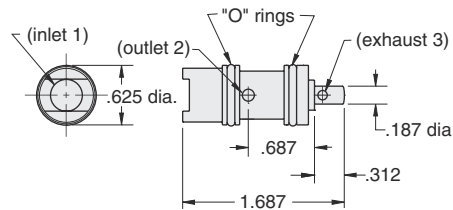


Medium: air
Stem Travel: 1/8"
Input Pressure: 300 psig max.
Air Flow: @50 psig - 14 SCFM
 @100 psig - 25 SCFM
Force For Full Stem Travel: 38 oz. nom.
Mounting: 15/32-32 thread
 Nut and lockwashers furnished
Ports: Inlet - 1/8 NPT, Outlet - 1/8 NPT
Exhaust: To atmosphere through hole
Temperature Range: 32° to 230° F

MJV-3C

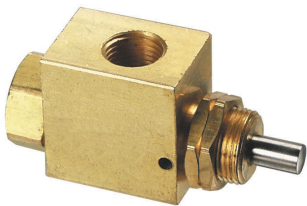


Normally closed 3-way poppet cartridge valve

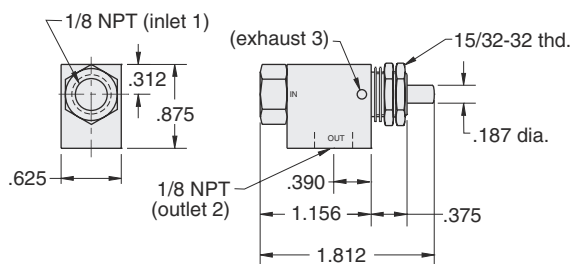


Medium: air
Stem Travel: 1/8"
Input Pressure: 300 psig max.
Air Flow: @50 psig - 11 SCFM
 @100 psig - 22 SCFM
Force For Full Stem Travel: 38 oz. nom.
Mounting: Inserts into 5/8" bore
 (.625" .001)
Exhaust: To atmosphere through hole
Temperature Range: 32° to 230° F
Note: See page 113 for retaining details

MJVO-3



Normally open 3-way spool valve with 1/8 NPT ports

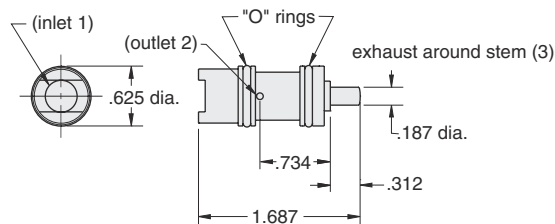


Medium: air
Stem Travel: 1/8"
Input Pressure: 150 psig max.
Air Flow: @50 psig - 7 SCFM
 @100 psig - 12 SCFM
Force For Full Stem Travel: 38 oz. nom.
Mounting: 15/32-32 thread
 Nut and lockwashers furnished
Ports: Inlet - 1/8 NPT, Outlet - 1/8 NPT
Exhaust: To atmosphere through hole
Temperature Range: 32° to 230° F

MJVO-3C



Normally open 3-way spool cartridge valve



Medium: air
Stem Travel: 1/8"
Input Pressure: 150 psig max.
Air Flow: @50 psig - 8 SCFM
 @100 psig - 15 SCFM
Force For Full Stem Travel: 38 oz. nom.
Mounting: Inserts into 5/8" bore
 (.625" .001)
Exhaust: To atmosphere through hole
Temperature Range: 32° to 230° F
Note: See page 113 for retaining details

3-WAY AIR PILOTED VALVES

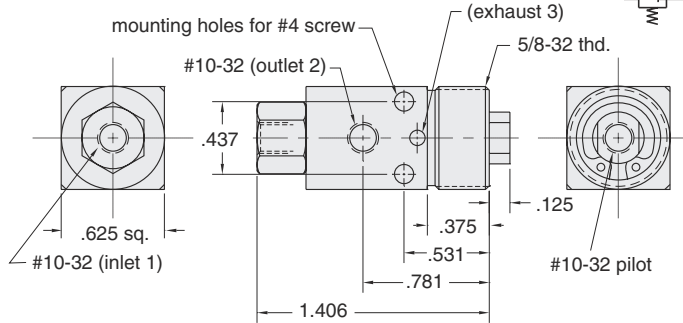


Options: see page 105 **Materials:** brass body, Buna-N seals, stainless steel stem & spring

PAV-3



Air piloted normally closed 3-way poppet valve



Medium: air only

Input Pressure: 300 psig max.

Air Flow: @50 psig - 4.0 SCFM
@100 psig - 6.8 SCFM

Mounting: 5/8-32 thread or #4 screws
Nut and lockwashers may be ordered part number: PAV-MH

Ports: Inlet - 10-32, Outlet - 10-32

Air Pilot Pressure: 15 psig min.

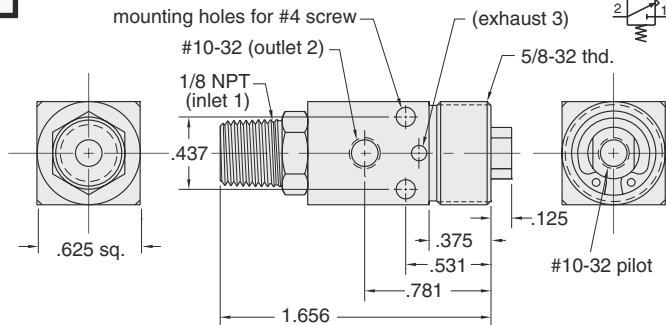
Temperature Range: 32° to 230° F

Foot Bracket: FB-1791

PAV-3P



Air piloted normally closed 3-way poppet valve



Medium: air only

Input Pressure: 300 psig max.

Air Flow: @50 psig - 4.0 SCFM
@100 psig - 6.8 SCFM

Mounting: 5/8-32 thread or #4 screws
Nut and lockwashers may be ordered part number: PAV-MH

Ports: Inlet - 1/8 NPT, Outlet - 10-32

Air Pilot Pressure: 15 psig min.

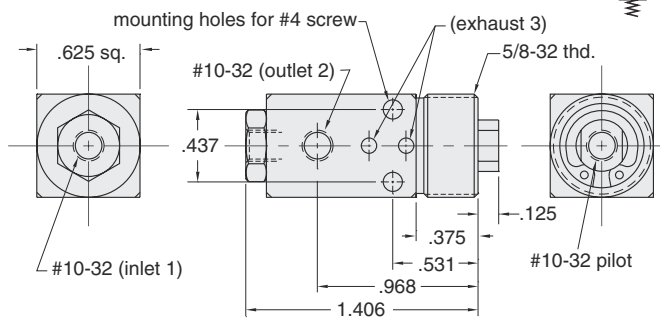
Temperature Range: 32° to 230° F

Foot Bracket: FB-1791

PAVO-3



Air piloted normally open 3-way spool, poppet valve



Medium: air only

Input Pressure: 150 psig max.

Air Flow: @50 psig - 6.8 SCFM
@100 psig - 11.6 SCFM

Mounting: 5/8-32 thread or #4 screws
Nut and lockwashers may be ordered part number: PAV-MH

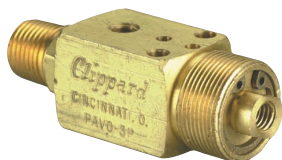
Ports: Inlet - 10-32, Outlet - 10-32

Air Pilot Pressure: 15 psig min.

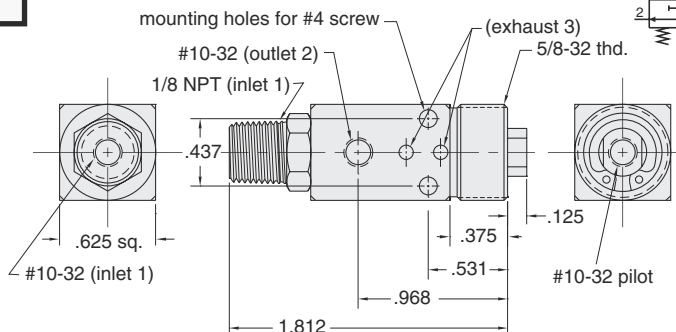
Temperature Range: 32° to 230° F

Foot Bracket: FB-1791

PAVO-3P



Air piloted normally open 3-way poppet valve



Medium: air only

Input Pressure: 150 psig max.

Air Flow: @50 psig - 6.8 SCFM
@100 psig - 11.6 SCFM

Mounting: 5/8-32 thread or #4 screws
Nut and lockwashers may be ordered part number: PAV-MH

Ports: Inlet - 1/8 NPT, Outlet - 10-32

Air Pilot Pressure: 15 psig min.

Temperature Range: 32° to 230° F

Foot Bracket: FB-1791



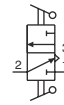
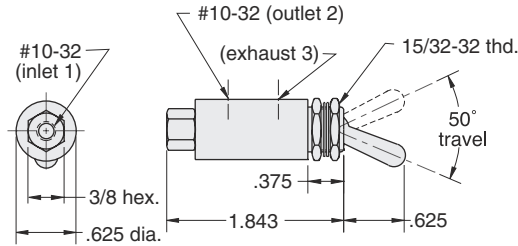
3-WAY TOGGLE VALVES

Options: see page 105 **Materials:** brass body, Buna-N seals, stainless steel stem & spring

MTV-3



3-way poppet two position toggle valve

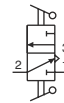
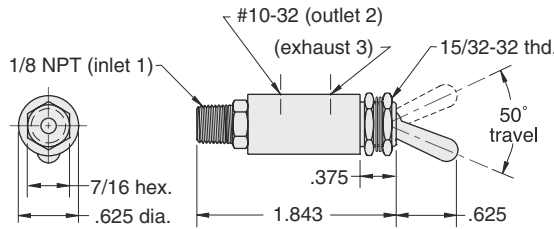


Medium: air, water, or oil
Arc Of Travel: 50°
Input Pressure: 300 psig max.
Air Flow: @50 psig - 4 SCFM
 @100 psig - 7 SCFM
Force For Full Stem Travel: 16 oz. nom.
Mounting: 15/32-32 thd.
 nut and lockwasher furnished
Ports: Inlet - 10-32, Outlet - 10-32,
 Exhaust 10-32
Temperature Range: 32° to 230° F

MTV-3P

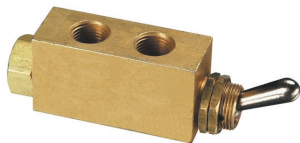


3-way poppet two position toggle valve

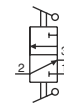
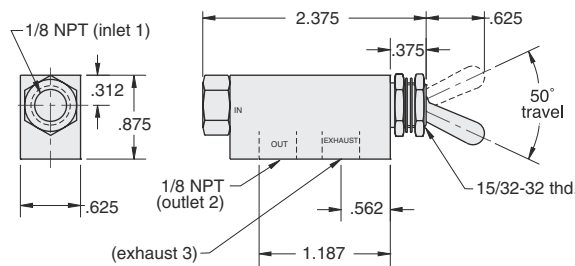


Medium: air, water, or oil
Arc Of Travel: 50°
Input Pressure: 300 psig max.
Air Flow: @50 psig - 4 SCFM
 @100 psig - 7 SCFM
Force For Full Stem Travel: 16 oz. nom.
Mounting: 15/32-32 thd.
 nut and lockwasher furnished
Ports: Inlet - 1/8 NPT, Outlet - 10-32
 Exhaust 10-32
Temperature Range: 32° to 230° F

MJTV-3



3-way poppet two position toggle valve with 1/8 NPT ports

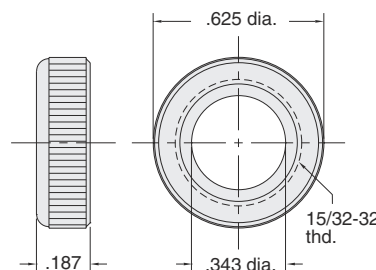


Medium: air, water, or oil
Arc Of Travel: 50°
Input Pressure: 300 psig max.
Air Flow: @50 psig - 14 SCFM
 @100 psig - 25 SCFM
Force For Full Stem Travel: 16 oz. nom.
Mounting: 15/32-32 thd.
 nut and lockwasher furnished
Ports: Inlet - 1/8 NPT, Outlet - 1/8 NPT
 Exhaust 1/8 NPT
Temperature Range: 32° to 230° F

11406-1 (black) 11406-2 (bright)



15/32" panel mounting nut



Construction: Brass with
black or bright nickel finish

3-WAY TOGGLE VALVES

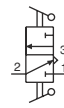
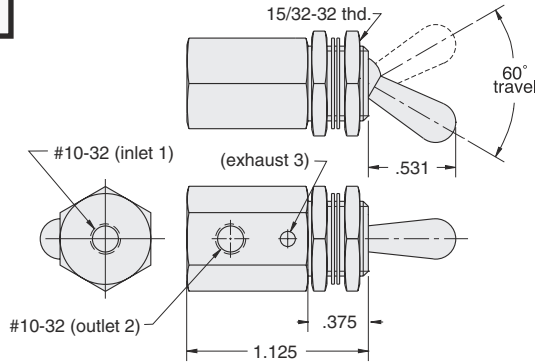


Options: see page 105 **Materials:** brass body, Buna-N seals, stainless steel stem & spring

TV-3S



3-way spool two position toggle valve



Medium: air

Arc Of Travel: 60°

Input Pressure: 150 psig max.

Air Flow: @50 psig - 4.5 SCFM
@100 psig - 8.0 SCFM

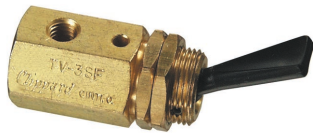
Force For Full Stem Travel: 12 oz. nom.

Mounting: 15/32-32 thd.
nut and lockwasher furnished

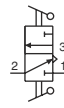
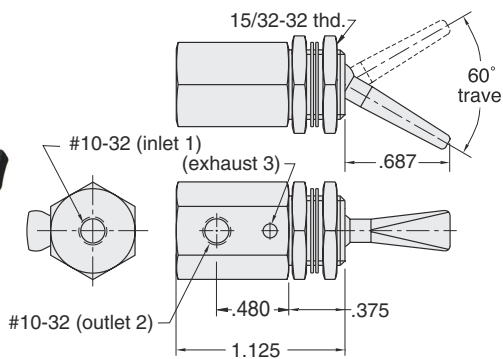
Ports: Inlet - 10-32, Outlet - 10-32

Temperature Range: 32° to 230° F

TV-3SF



3-way spool two position toggle valve



Medium: air

Arc Of Travel: 60°

Input Pressure: 150 psig max.

Air Flow: @50 psig - 4.5 SCFM
@100 psig - 8.0 SCFM

Force For Full Stem Travel: 12 oz. nom.

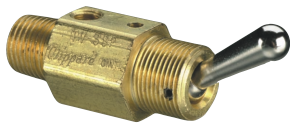
Mounting: 15/32-32 thd.
nut and lockwasher furnished

Ports: Inlet - 10-32, Outlet - 10-32

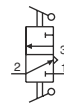
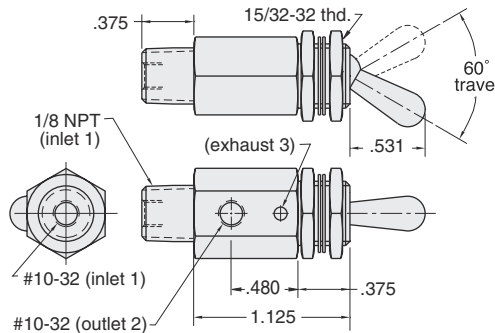
Toggle: Plastic

Temperature Range: 32° to 230° F

TV-3SP



3-way spool two position toggle valve with 1/8 NPT



Medium: air

Arc Of Travel: 60°

Input Pressure: 150 psig max.

Air Flow: @50 psig - 4.5 SCFM
@100 psig - 8.0 SCFM

Force For Full Stem Travel: 12 oz. nom.

Mounting: 15/32-32 thd.
nut and lockwasher furnished

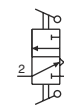
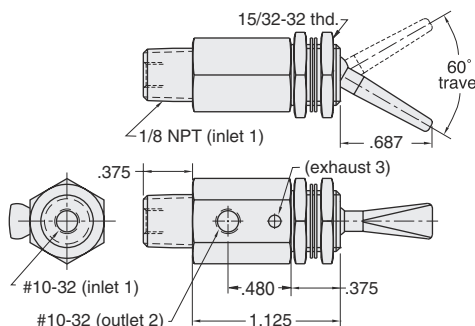
Ports: Inlet - 1/8 NPT, Outlet - 10-32

Temperature Range: 32° to 230° F

TV-3SFP



3-way spool two position toggle valve with 1/8 NPT inlet and plastic toggle



Medium: air

Arc Of Travel: 60°

Input Pressure: 150 psig max.

Air Flow: @50 psig - 4.5 SCFM
@100 psig - 8.0 SCFM

Force For Full Stem Travel: 12 oz. nom.

Mounting: 15/32-32 thd.
nut and lockwasher furnished

Ports: Inlet - 1/8 NPT, Outlet - 10-32

Toggle: Plastic

Temperature Range: 32° to 230° F

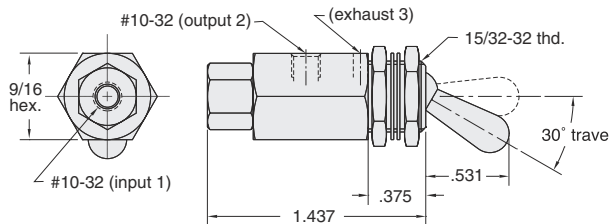


3-WAY MOMENTARY TOGGLE VALVES

Options: see page 105 **Materials:** brass body, Buna-N seals, stainless steel stem & spring

TV-3M

Normally closed 3-way toggle valve with momentary actuation

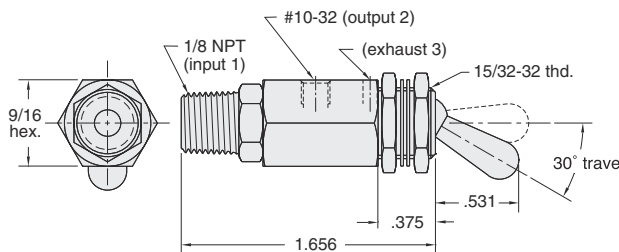


Medium: air
Input Pressure: 300 psig max.
Air Flow: @50 psig - 4.0 SCFM
 @100 psig - 6.8 SCFM
Force For Full Stem Travel: 12 oz. nom.
Mounting: 15/32-32 thd.
 nut and lockwasher furnished
Ports: Inlet 10-32, Outlet 10-32
Temperature Range: 32° to 230° F

TV-3MF: same as TV-3M except with a plastic toggle

TV-3MP

Normally closed 3-way toggle valve with momentary actuation 1/8 NPT inlet

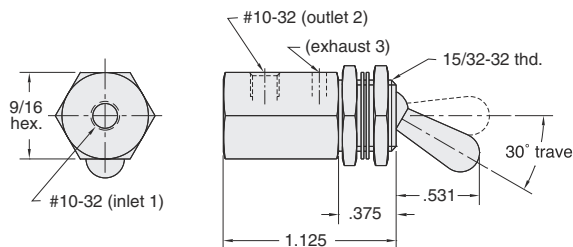


Medium: air, water, or oil
Input Pressure: 150 psig max.
Air Flow: @50 psig - 4.0 SCFM
 @100 psig - 6.8 SCFM
Force For Full Stem Travel: 12 oz. nom.
Mounting: 15/32-32 thd.
 nut and lockwasher furnished
Ports: Inlet 1/8 NPT, Outlet 10-32
Temperature Range: 32° to 230° F

TV-3MPF: same as TV-3MP except with a plastic toggle

TVO-3M

Normally open 3-way toggle valve with momentary actuation

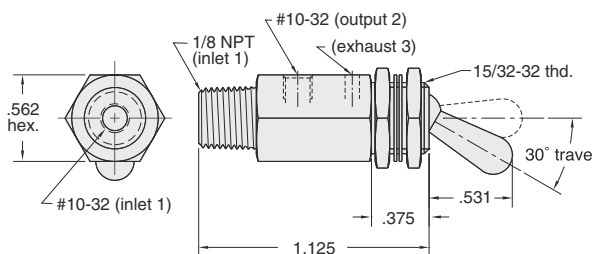


Medium: air
Input Pressure: 300 psig max.
Air Flow: @50 psig - 4.0 SCFM
 @100 psig - 6.8 SCFM
Force For Full Stem Travel: 12 oz. nom.
Mounting: 15/32-32 thd.
 nut and lockwasher furnished
Ports: Inlet 10-32, Outlet 10-32
Temperature Range: 32° to 230° F

TVO-3MF: same as TVO-3M except with a plastic toggle

TVO-3MP

Normally open 3-way toggle valve with momentary actuation 1/8 NPT inlet



Medium: air
Input Pressure: 150 psig max.
Air Flow: @50 psig - 4.0 SCFM
 @100 psig - 6.8 SCFM
Force For Full Stem Travel: 12 oz. nom.
Mounting: 15/32-32 thd.
 nut and lockwasher furnished
Ports: Inlet 1/8 NPT, Outlet 10-32
Temperature Range: 32° to 230° F

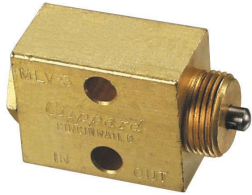
TVO-3MPF: same as TVO-3MP except with a plastic toggle

3-WAY MINIATURE LIMIT VALVE

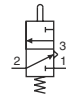
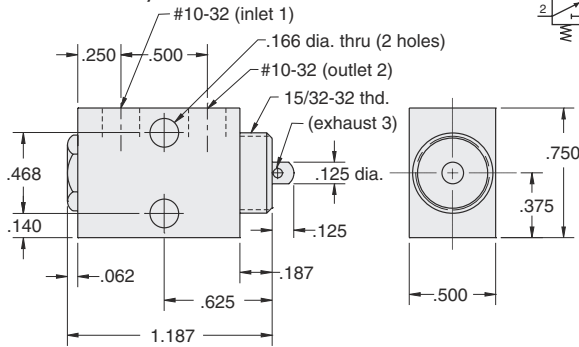


Options: see page 105 **Materials:** brass body, Buna-N seals, stainless steel stem & spring

MLV-3



Normally closed 3-way poppet valve stem actuated only



- Medium:** air
- Stem Travel:** 1/8"
- Input Pressure:** 150 psig max.
- Air Flow:** @50 psig - 4 SCFM
@100 psig - 7 SCFM
- Force For Full Stem Travel:** 48 oz. nominal
- Mounting:** Dual #20 holes or 15/32-32 thd. nut and lockwasher furnished
- Ports:** Inlet - 10-32, Outlet - 10-32
- Exhaust:** To atmosphere through hollow stem
- Temperature Range:** 32° to 230° F



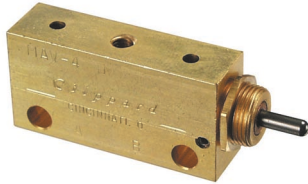
Clippard's reputation of building jigs, fixtures and machines as well as modifying existing machines to improve productivity is carried on in its well equipped machine shop. New product prototypes are crafted by experienced engineers and machinists.



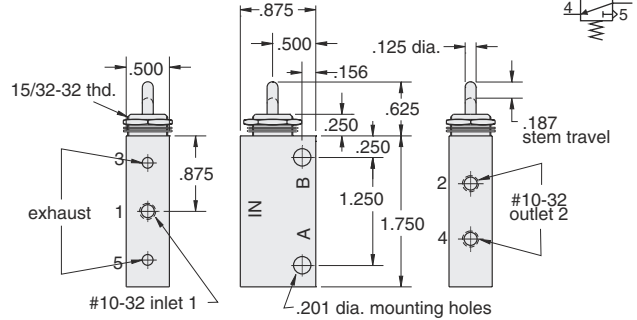
4-WAY STEM VALVES

Options: see page 105 **Materials:** brass body, Buna-N seals, stainless steel stem & spring

MAV-4



4-way spool spring return two position stem-operated valve

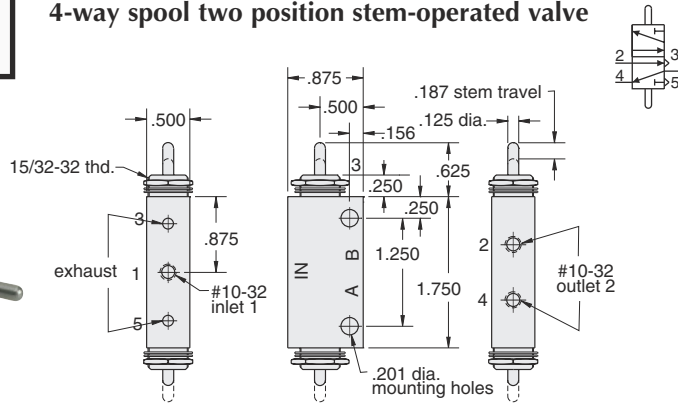


- Medium:** air
- Stem Travel:** 3/16"
- Input Pressure:** 150 psig max.
- Air Flow:** @50 psig - 5.0 SCFM
@100 psig - 8.5 SCFM
- Force For Full Stem Travel:** 38 oz. nom.
- Mounting:** 15/32-32 thread
Nut and lockwashers furnished.
Also two .201" dia. mounting holes in valve body
- Ports:** Inlet - 10-32, Outlet - 10-32
- Exhaust:** Do not restrict
- Temperature Range:** 32° to 230° F

MAV-4D

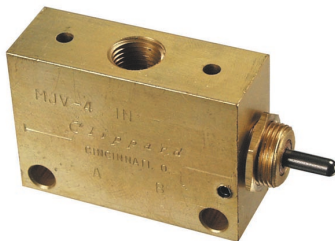


4-way spool two position stem-operated valve

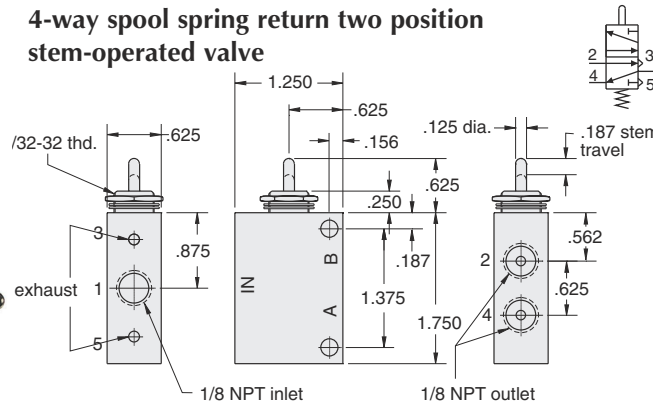


- Medium:** air
- Stem Travel:** 3/16"
- Input Pressure:** 150 psig max.
- Air Flow:** @50 psig - 5.0 SCFM
@100 psig - 8.5 SCFM
- Force For Full Stem Travel:** 12 oz. nom.
- Mounting:** 15/32-32 thread (both ends)
Nut and lockwashers furnished.
Also two .201" dia. mounting holes in valve body
- Ports:** Inlet - 10-32, Outlet - 10-32
- Exhaust:** Do not restrict
- Temperature Range:** 32° to 230° F

MJV-4

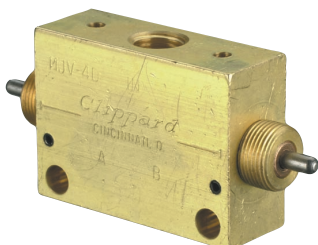


4-way spool spring return two position stem-operated valve

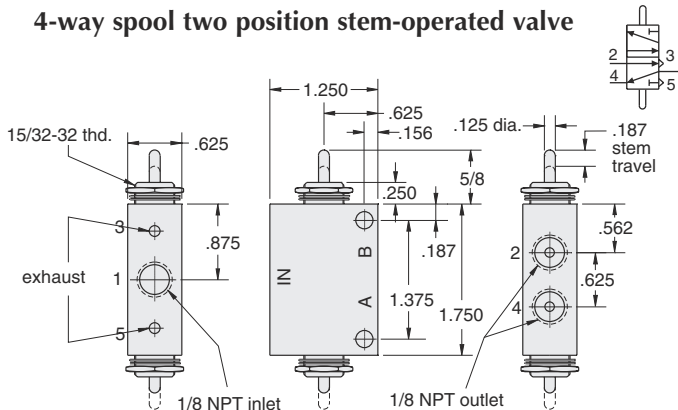


- Medium:** air
- Stem Travel:** 3/16"
- Input Pressure:** 150 psig max.
- Air Flow:** @50 psig - 8 SCFM
@100 psig - 14 SCFM
- Force For Full Stem Travel:** 38 oz. nom.
- Mounting:** 15/32-32 thread
Nut and lockwashers furnished.
Also two .201" dia. mounting holes in valve body
- Ports:** Inlet - 1/8 NPT, Outlet - 1/8 NPT
- Exhaust:** Do not restrict
- Temperature Range:** 32° to 230° F

MJV-4D



4-way spool two position stem-operated valve



- Medium:** air
- Stem Travel:** 3/16"
- Input Pressure:** 150 psig max.
- Air Flow:** @50 psig - 8 SCFM
@100 psig - 14 SCFM
- Force For Full Stem Travel:** 12 oz. nom.
- Mounting:** 15/32-32 thread (both ends)
Nut and lockwashers furnished.
Also two .201" dia. mounting holes in valve body
- Ports:** Inlet - 1/8 NPT, Outlet - 1/8 NPT
- Exhaust:** Do not restrict
- Temperature Range:** 32° to 230° F

4-WAY TOGGLE VALVES

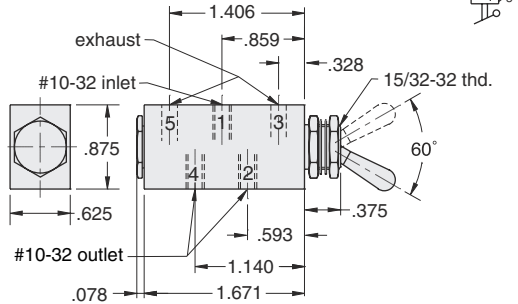


Options: see page 105 **Materials:** brass body, Buna-N seals, stainless steel stem & spring

MTV-4



4-way spool toggle actuated two position valve

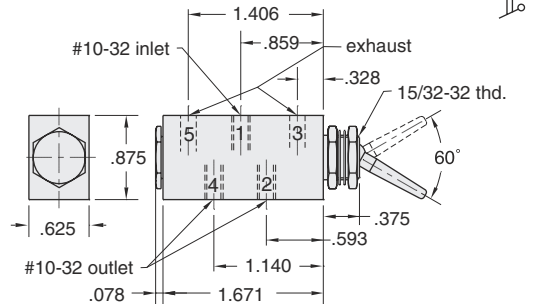


- Medium:** air
- Arc Of Travel:** 60°
- Input Pressure:** 150 psig max.
- Air Flow:** @50 psig - 6 SCFM
@100 psig - 10 SCFM
- Force For Full Stem Travel:** 16 oz. nominal
- Mounting:** 15/32-32 thread nut and lockwashers furnished
- Ports:** Inlet - 10-32, Outlet - 10-32
- Exhaust:** To atmosphere through holes in body
- Temperature Range:** 32° to 230° F

MTV-4F

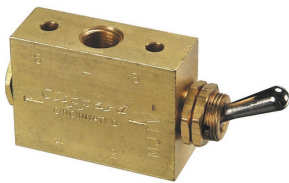


4-way spool toggle actuated two position valve with plastic toggle

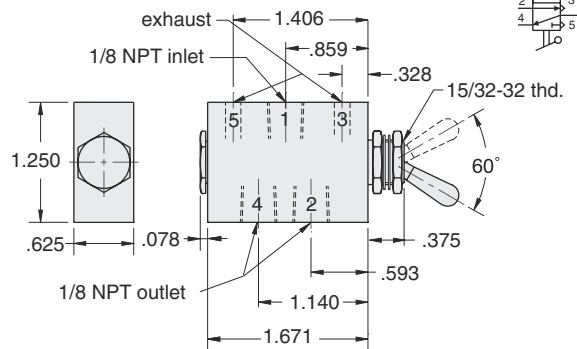


- Medium:** air
- Arc Of Travel:** 60°
- Input Pressure:** 150 psig max.
- Air Flow:** @50 psig - 6 SCFM
@100 psig - 10 SCFM
- Force For Full Stem Travel:** 16 oz. nominal
- Mounting:** 15/32-32 thread nut and lockwashers furnished
- Ports:** Inlet - 10-32, Outlet - 10-32
- Exhaust:** To atmosphere through holes in body
- Construction:** Plastic Toggle
- Temperature Range:** 32° to 230° F

MJTV-4



4-way spool toggle actuated two position valve

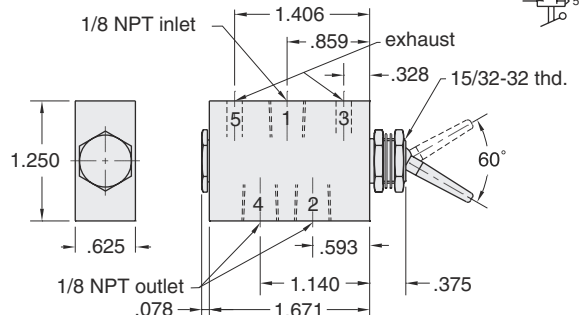


- Medium:** air
- Arc Of Travel:** 60°
- Input Pressure:** 150 psig max.
- Air Flow:** @50 psig - 6.5 SCFM
@100 psig - 10.5 SCFM
- Force For Full Toggle Travel:** 16 oz. nominal
- Mounting:** 15/32-32 thread nut and lockwashers furnished
- Ports:** Inlet - 1/8 NPT, Outlet - 1/8 NPT
- Exhaust:** To atmosphere through holes in body
- Temperature Range:** 32° to 230° F

MJTV-4F



4-way spool toggle actuated two position valve with plastic toggle



- Medium:** air
- Arc Of Travel:** 60°
- Input Pressure:** 150 psig max.
- Air Flow:** @50 psig - 6.5 SCFM
@100 psig - 10.5 SCFM
- Force For Full Toggle Travel:** 16 oz. nominal
- Mounting:** 15/32-32 thread nut and lockwashers furnished
- Ports:** Inlet - 1/8 NPT, Outlet - 1/8 NPT
- Exhaust:** To atmosphere through holes in body
- Construction:** Plastic Toggle
- Temperature Range:** 32° to 230° F

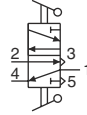
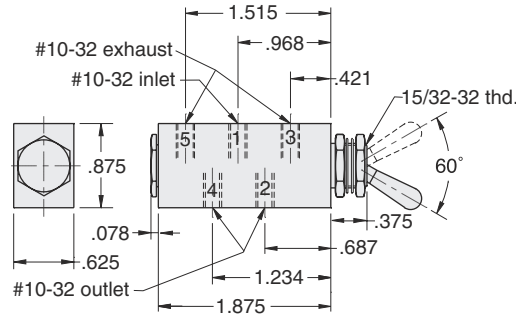
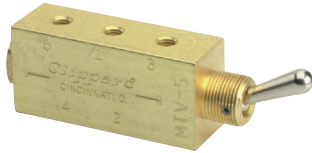


4-WAY FULLY PORTED TOGGLE VALVES

Options: see page 105 **Materials:** brass body, Buna-N seals, stainless steel stem & spring

MTV-5

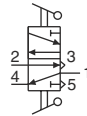
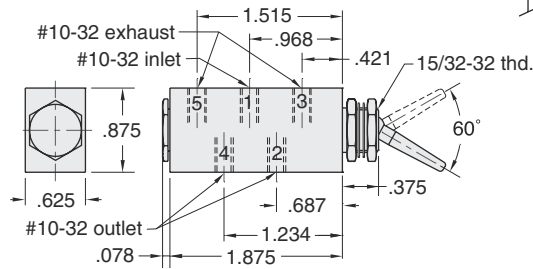
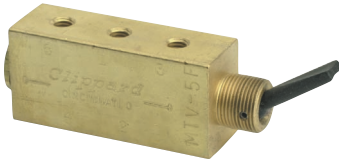
4-way spool toggle actuated two position fully ported valve



Medium: air, water, or oil
Arc Of Travel: 60°
Input Pressure: 150 psig max.
Air Flow: @50 psig - 6 SCFM
 @100 psig - 10 SCFM
Force For Full Stem Travel: 16 oz. nom.
Mounting: 15/32-32 thread nut and lockwashers furnished
Ports: Inlet - 10-32, Outlet - 10-32
Exhaust: 10-32
Temperature Range: 32° to 230° F

MTV-5F

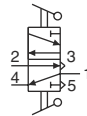
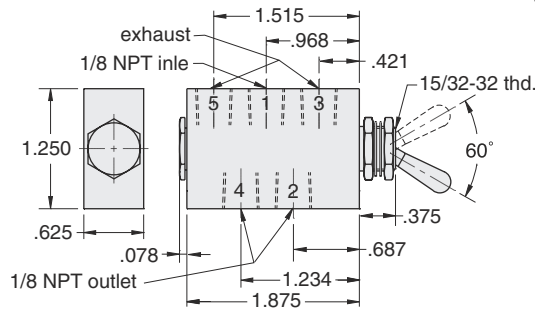
4-way spool toggle actuated two position fully ported valve



Medium: air, water, or oil
Arc Of Travel: 60°
Input Pressure: 150 psig max.
Air Flow: @50 psig - 6 SCFM
 @100 psig - 10 SCFM
Force For Full Stem Travel: 16 oz. nom.
Mounting: 15/32-32 thread nut and lockwashers furnished
Ports: Inlet - 10-32, Outlet - 10-32
Exhaust: 10-32
Construction: Plastic Toggle
Temperature Range: 32° to 230° F

MJTV-5

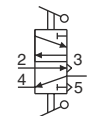
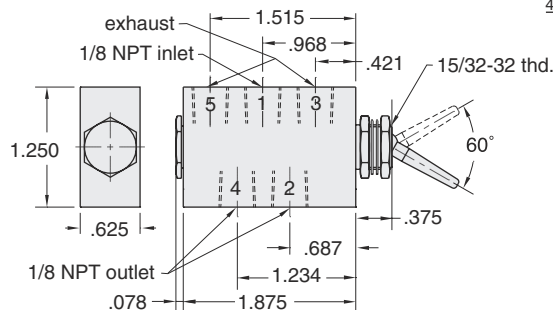
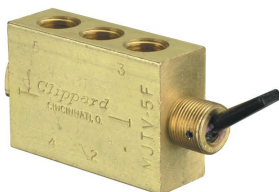
4-way spool toggle actuated two position fully ported valve



Medium: air, water, or oil
Arc Of Travel: 60°
Input Pressure: 150 psig max.
Air Flow: @50 psig - 6.5 SCFM
 @100 psig - 10.5 SCFM
Force For Full Stem Travel: 16 oz. nom.
Mounting: 15/32-32 thread nut and lockwashers furnished
Ports: Inlet - 1/8 NPT, Outlet - 1/8 NPT
Exhaust: 1/8 NPT
Temperature Range: 32° to 230° F

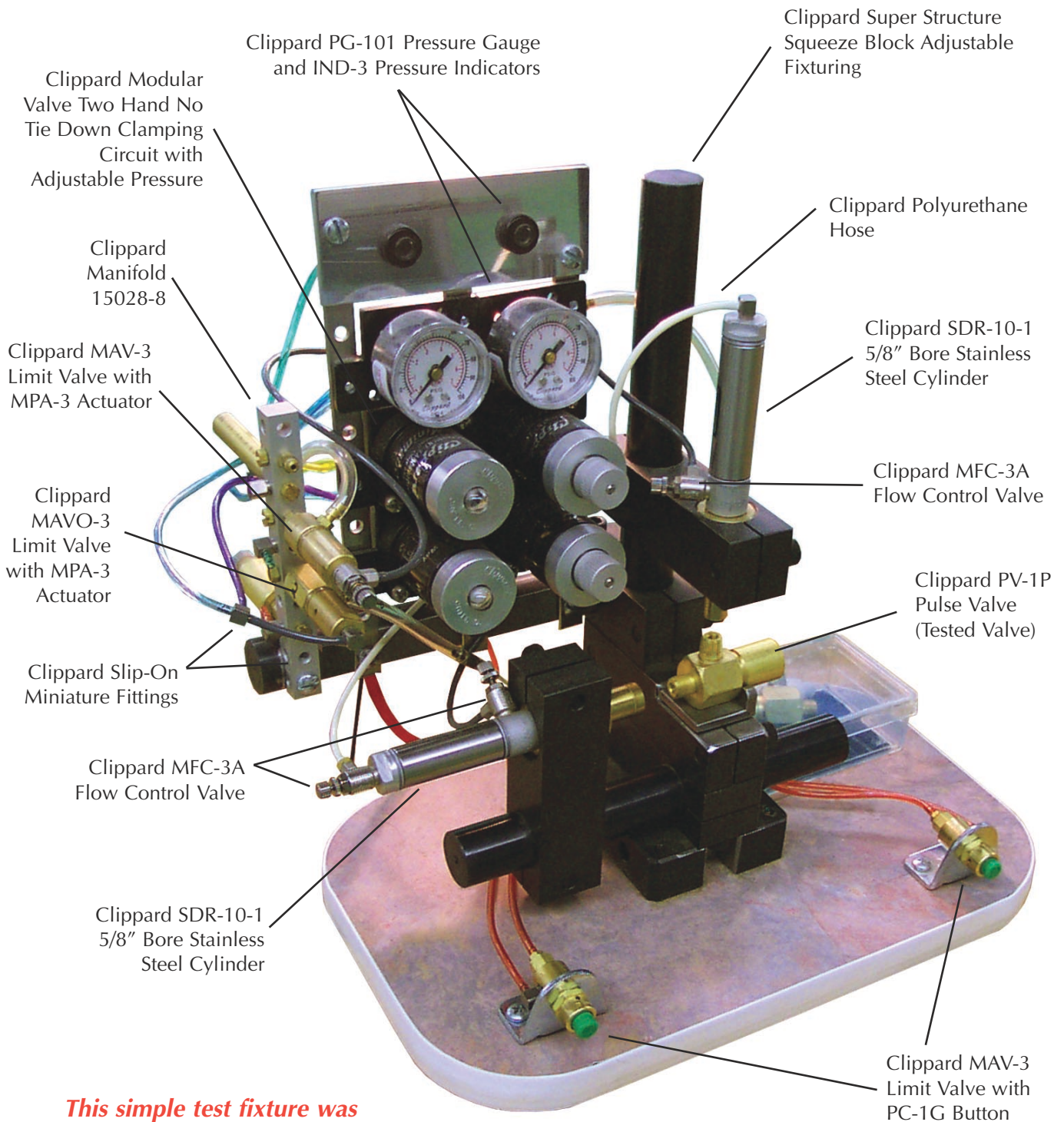
MJTV-5F

4-way spool toggle actuated two position fully ported valve



Medium: air, water, or oil
Arc Of Travel: 60°
Input Pressure: 150 psig max.
Air Flow: @50 psig - 6.5 SCFM
 @100 psig - 10.5 SCFM
Force For Full Stem Travel: 16 oz. nom.
Mounting: 15/32-32 thread nut and lockwashers furnished
Ports: Inlet - 1/8 NPT, Outlet - 1/8 NPT
Exhaust: 1/8 NPT
Construction: Plastic Toggle
Temperature Range: 32° to 230° F

Pneumatic Pulse Valve Leak Tester



This simple test fixture was inexpensively and quickly built using standard Clippard products.



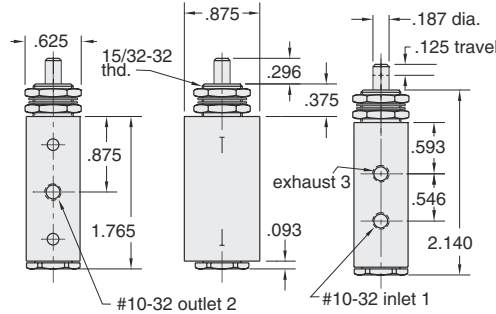
FV SERIES 3-WAY VALVE

Options: see page 105 **Materials:** brass body, Buna-N seals, stainless steel stem & spring

FV-3



3-way spool plunger actuated spring return fully ported valve



Medium: air, water, or oil

Stem Travel: 1/8"

Input Pressure: Vacuum to 150 psig max.

Air Flow: @50 psig - 6 SCFM
@100 psig - 10 SCFM

Force For Full Stem Travel: 4 1/2 lb. nom.

Mounting: 15/32-32 thread
Nut and lockwashers furnished

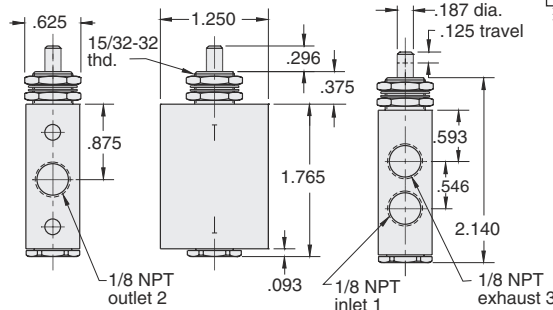
Ports: Inlet - 10-32, Outlet - 10-32
Exhaust - 10-32

Temperature Range: 32° to 230° F

FV-3P



3-way spool plunger actuated spring return fully ported valve



Medium: air, water, or oil

Stem Travel: 1/8"

Input Pressure: Vacuum to 150 psig max.

Air Flow: @50 psig - 6.5 SCFM
@100 psig - 10.5 SCFM

Force For Full Stem Travel: 4 1/2 lb. nom.

Mounting: 15/32-32 thread
Nut and lockwashers furnished

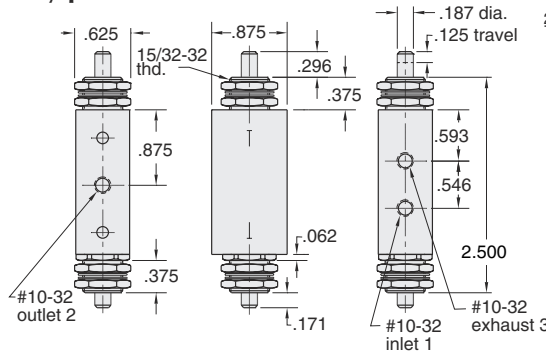
Ports: Inlet - 1/8 NPT, Outlet - 1/8 NPT
Exhaust - 1/8 NPT

Temperature Range: 32° to 230° F

FV-3D



3-way spool double plunger two position fully ported valve



Medium: air, water, or oil

Stem Travel: 1/8"

Input Pressure: Vacuum to 150 psig max.

Air Flow: @50 psig - 6 SCFM
@100 psig - 10 SCFM

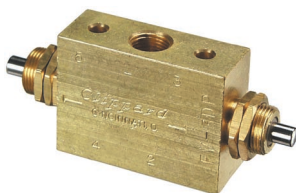
Force For Full Stem Travel: 1 1/2 lb. nom.

Mounting: 15/32-32 thread
Nut and lockwashers furnished

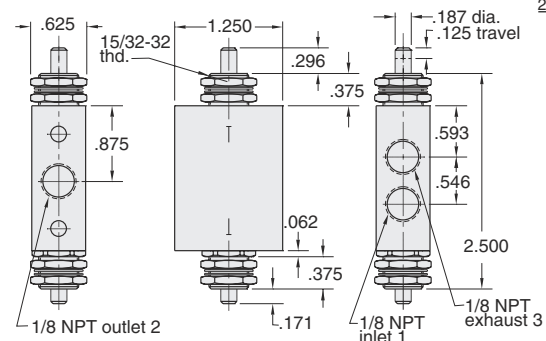
Ports: Inlet - 10-32, Outlet - 10-32
Exhaust - 10-32

Temperature Range: 32° to 230° F

FV-3DP



3-way spool double plunger two position fully ported valve



Medium: air, water, or oil

Stem Travel: 1/8"

Input Pressure: Vacuum to 150 psig max.

Air Flow: @50 psig - 6.5 SCFM
@100 psig - 10.5 SCFM

Force For Full Stem Travel: 1 1/2 lb. nom.

Mounting: 15/32-32 thread
Nut and lockwashers furnished

Ports: Inlet - 1/8 NPT, Outlet - 1/8 NPT
Exhaust - 1/8 NPT

Temperature Range: 32° to 230° F

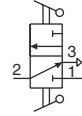
FTV SERIES 3-WAY VALVE



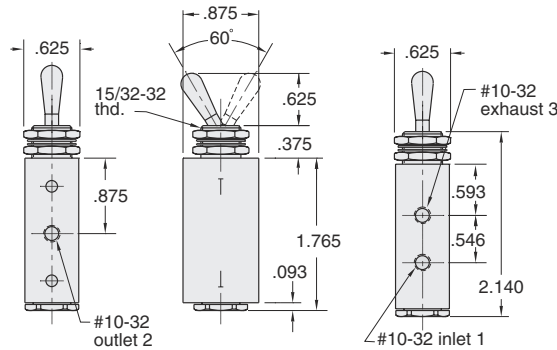
Options: see page 105 **Materials:** brass body, Buna-N seals, stainless steel stem & spring

FTV-3

3-way spool toggle actuated two position fully ported valve



- Medium:** air, water, or oil
- Input Pressure:** Vacuum to 150 psig max.
- Air Flow:** @50 psig - 6 SCFM
@100 psig - 10 SCFM
- Force For Full Stem Travel:** 16 oz. nom.
- Arc Of Travel:** 60°
- Mounting:** 15/32-32 thread
Nut and lockwashers furnished
- Ports:** Inlet - 10-32, Outlet - 10-32
Exhaust - 10-32
- Temperature Range:** 32° to 230° F
- Construction:** Plastic Toggle (FTV-3F)

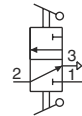


FTV-3F

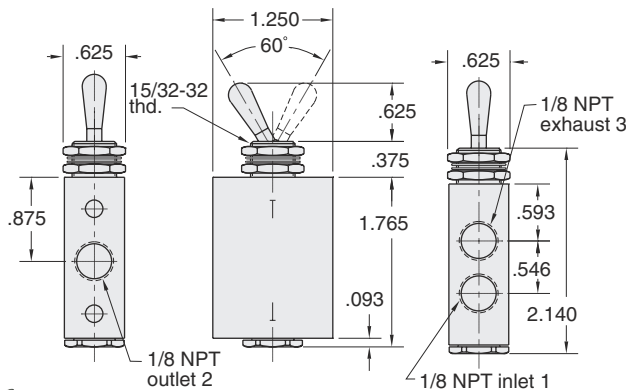


FTV-3P

3-way spool toggle actuated two position fully ported valve



- Medium:** air, water, or oil
- Input Pressure:** Vacuum to 150 psig max.
- Air Flow:** @50 psig - 6.5 SCFM
@100 psig - 10.5 SCFM
- Force For Full Stem Travel:** 16 oz. nom.
- Arc Of Travel:** 60°
- Mounting:** 15/32-32 thread
Nut and lockwashers furnished
- Ports:** Inlet - 1/8 NPT, Outlet - 1/8 NPT
Exhaust - 1/8 NPT
- Temperature Range:** 32° to 230° F
- Construction:** Plastic Toggle (FTV-3FP)

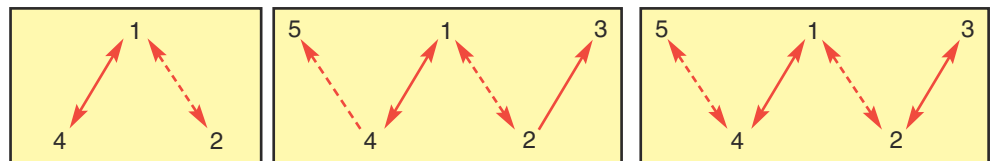


FTV-3FP



FLOW PATHS FOR "FTV & FV" SERIES VALVES

Solid lines indicate flow paths with toggle or stem in one direction. Dotted lines indicate flow paths when the toggle or stem are shifted.



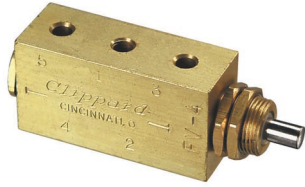
Note: Includes MTV-4, MTV-5, MFTV-4 & MJTV-5



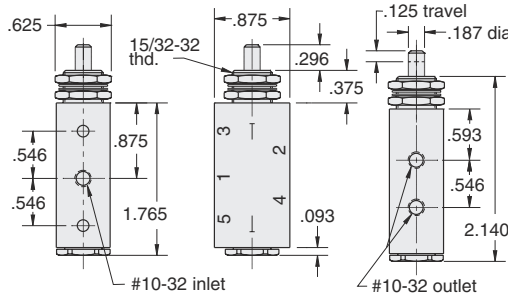
FV SERIES 4-WAY VALVE

Options: see page 105 **Materials:** brass body, Buna-N seals, stainless steel stem & spring

FV-4

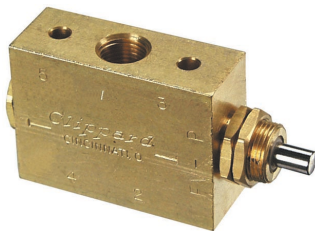


4-way spool plunger actuated spring return valve

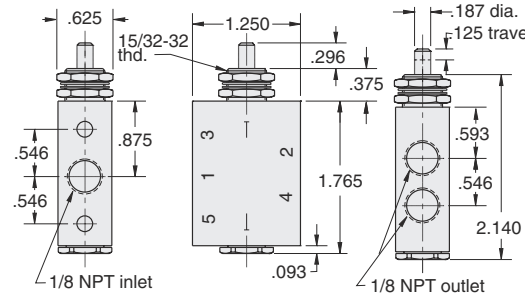


- Medium:** air
- Stem Travel:** 1/8"
- Input Pressure:** Vacuum to 150 psig max.
- Air Flow:** @50 psig - 6 SCFM
@100 psig - 10 SCFM
- Force For Full Stem Travel:** 4 1/2 lb. nom.
- Mounting:** 15/32-32 thread
Nut and lockwashers furnished
- Ports:** Inlet - 10-32, Outlet - 10-32
- Exhaust:** To atmosphere
- Temperature Range:** 32° to 230° F

FV-4P



4-way spool plunger actuated spring return valve

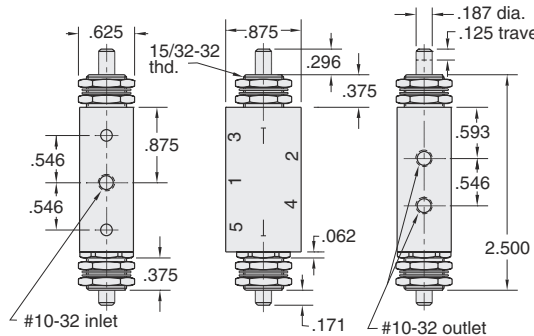


- Medium:** air
- Stem Travel:** 1/8"
- Input Pressure:** Vacuum to 150 psig max.
- Air Flow:** @50 psig - 6.5 SCFM
@100 psig - 10.5 SCFM
- Force For Full Stem Travel:** 4 1/2 lb. nom.
- Mounting:** 15/32-32 thread
Nut and lockwashers furnished
- Ports:** Inlet - 1/8 NPT, Outlet - 1/8 NPT
- Exhaust:** To atmosphere
- Temperature Range:** 32° to 230° F

FV-4D

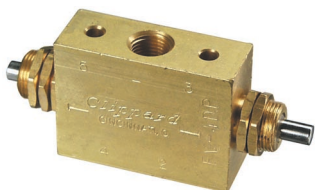


4-way spool double plunger two position valve

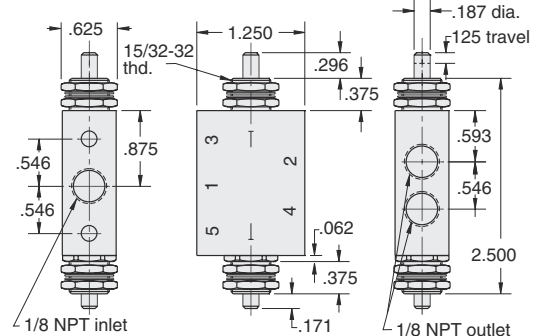


- Medium:** air
- Stem Travel:** 1/8"
- Input Pressure:** Vacuum to 150 psig max.
- Air Flow:** @50 psig - 6 SCFM
@100 psig - 10 SCFM
- Force For Full Stem Travel:** 1 1/2 lb. nom.
- Mounting:** 15/32-32 thread
Nut and lockwashers furnished
- Ports:** Inlet - 10-32, Outlet - 10-32
- Exhaust:** To atmosphere
- Temperature Range:** 32° to 230° F

FV-4DP



4-way spool double plunger two position valve



- Medium:** air
- Stem Travel:** 1/8"
- Input Pressure:** Vacuum to 150 psig max.
- Air Flow:** @50 psig - 6.5 SCFM
@100 psig - 10.5 SCFM
- Force For Full Stem Travel:** 1 1/2 lb. nom.
- Mounting:** 15/32-32 thread
Nut and lockwashers furnished
- Ports:** Inlet - 1/8 NPT, Outlet - 1/8 NPT
- Exhaust:** To atmosphere
- Temperature Range:** 32° to 230° F